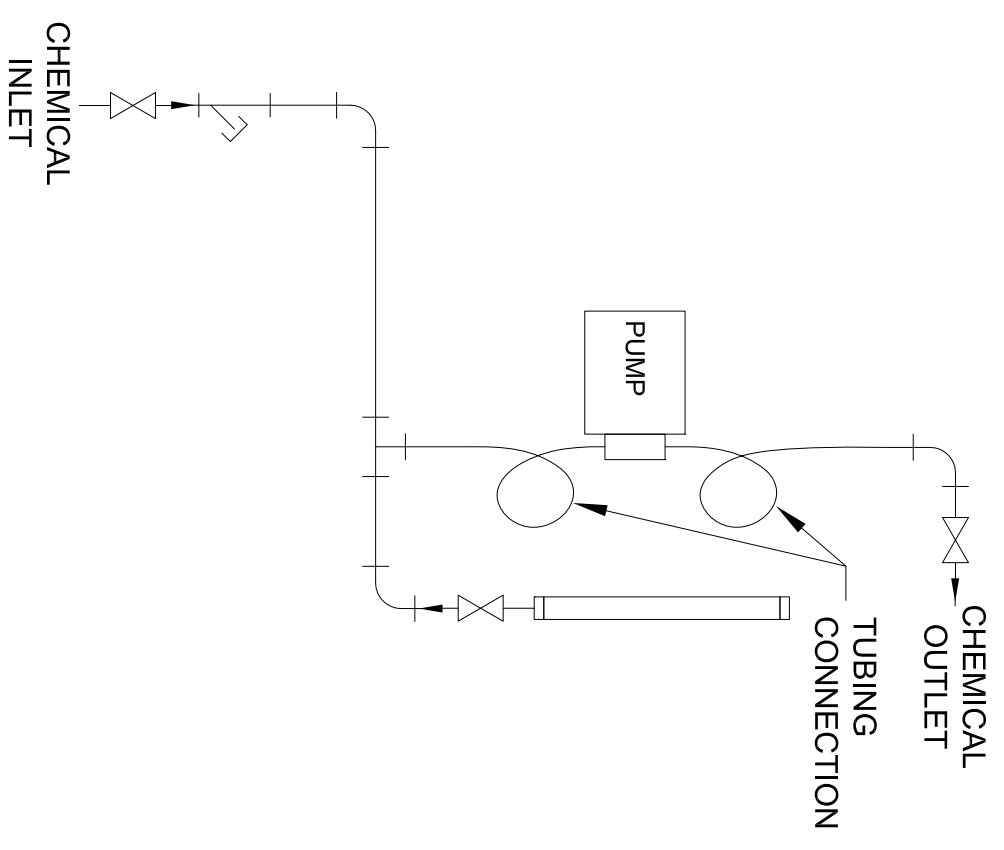
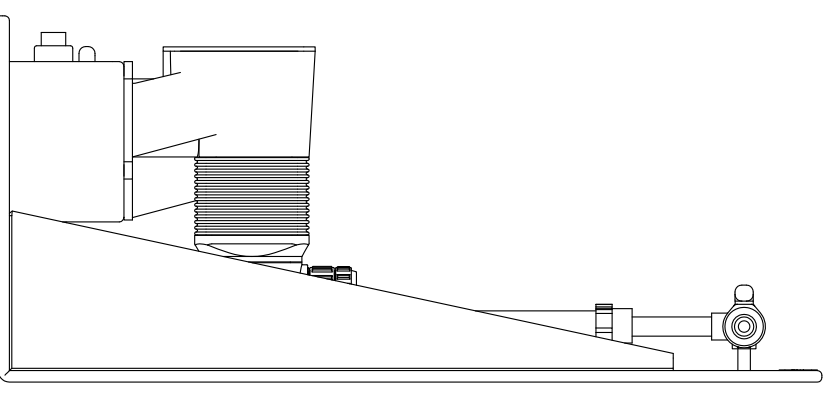
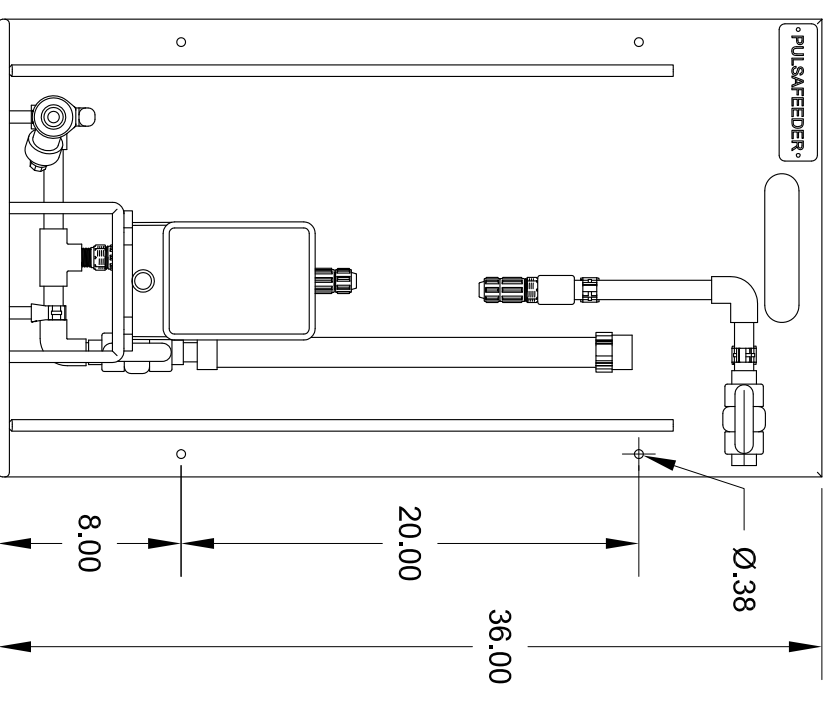
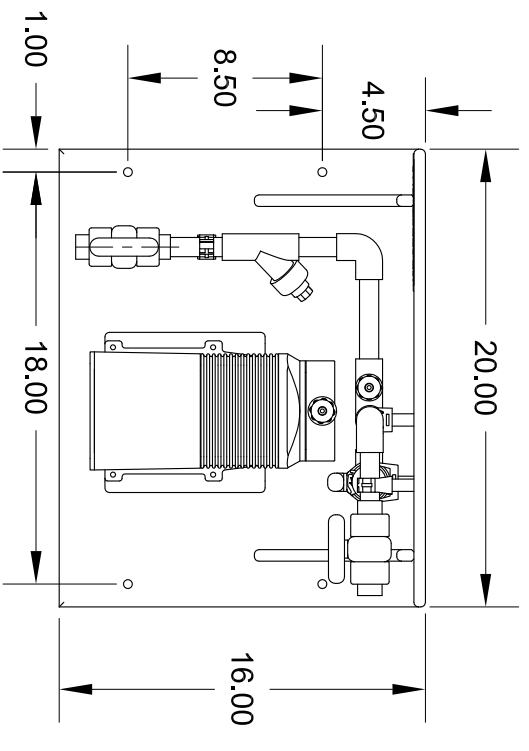


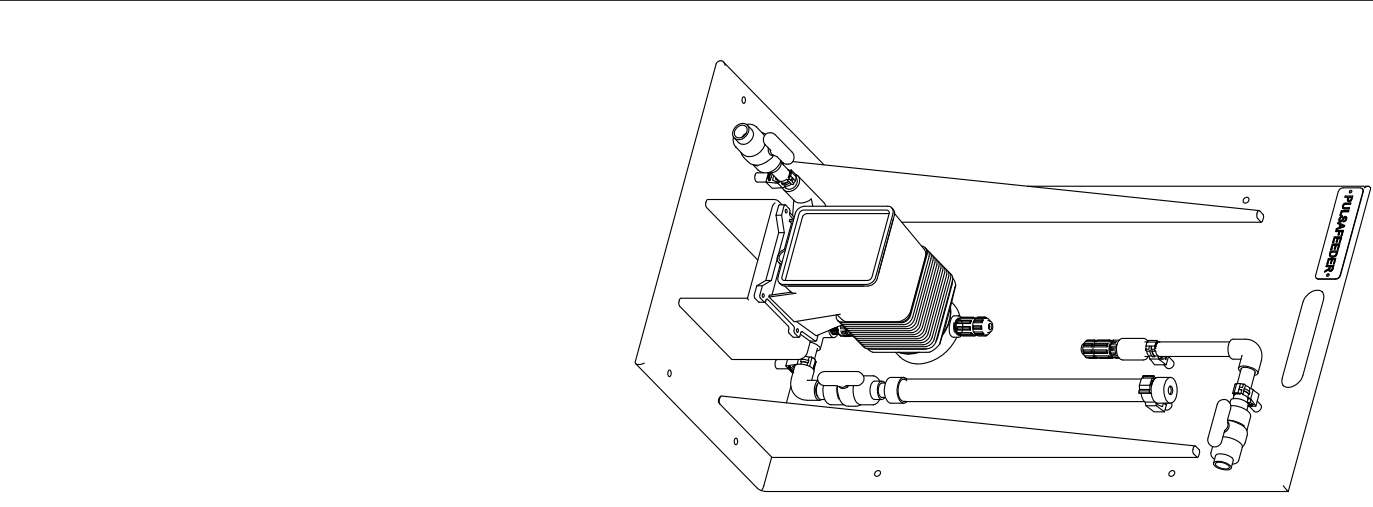
DWG NO.	PES1B-DPID	SHEET	1 OF 1
REV	REVISION DESCRIPTION	APPROVD	DATE
A	RELEASE	JPH	9/26/11



	METERING PUMP
	TRUE UNION BALL VALVE
	Y-STRAINER
	CALIBRATION COLUMN

INTERPRET GEOMETRIC TOLERANCING PER ASME Y14.5M-1994 UNLESS OTHERWISE SPECIFIED.		DRW	PEC	9/26/11
TOLERANCE	±.050"	CHK	JPH	9/26/11
XXX	±.015"	APP	JPH	9/26/11
XXX	±.005"			
XXX	±0°30'(±.5°)			
ANGLES BREAK ALL SHARP EDGES .015" MAX. 125°				
ALL DIMENSIONS IN INCHES.				

REV	SIZE	PART NO.
A	B	PES1B-DPIP
FILE	SCALE	SHEET
PES1B-DPID.DWG	NTS	1 OF 1



**PULSAFEEDER**  
 ADVANCED  
 PERFORMANCE