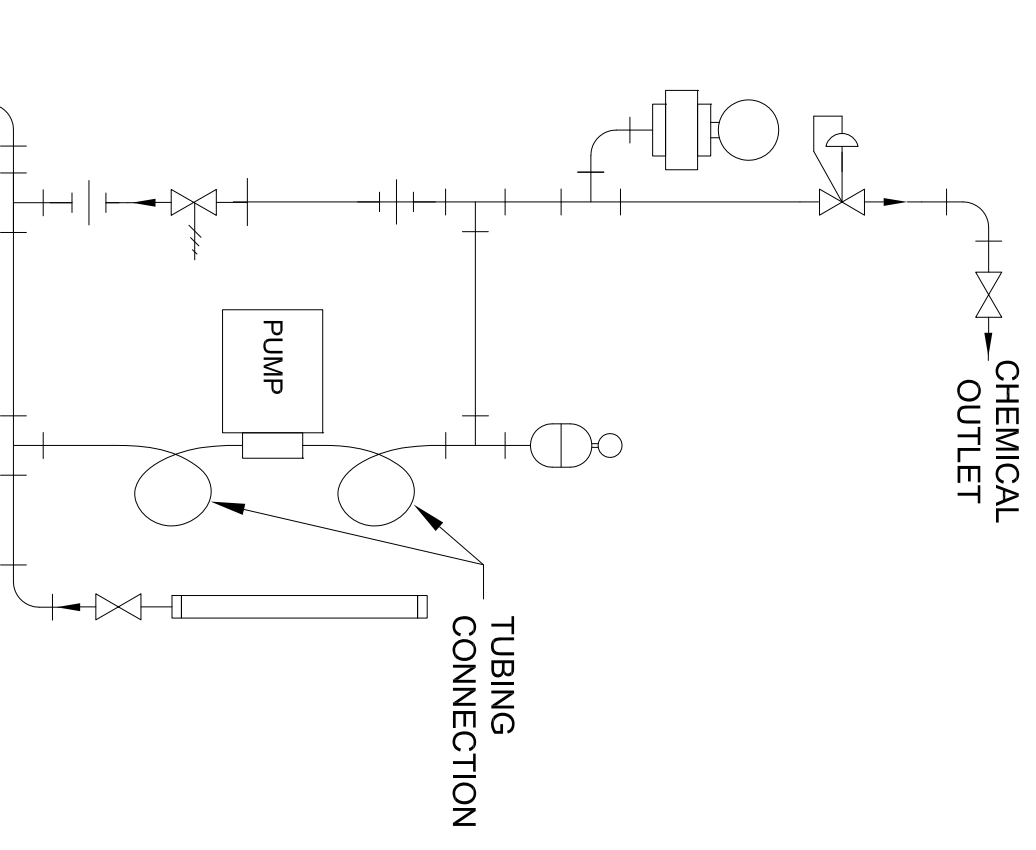
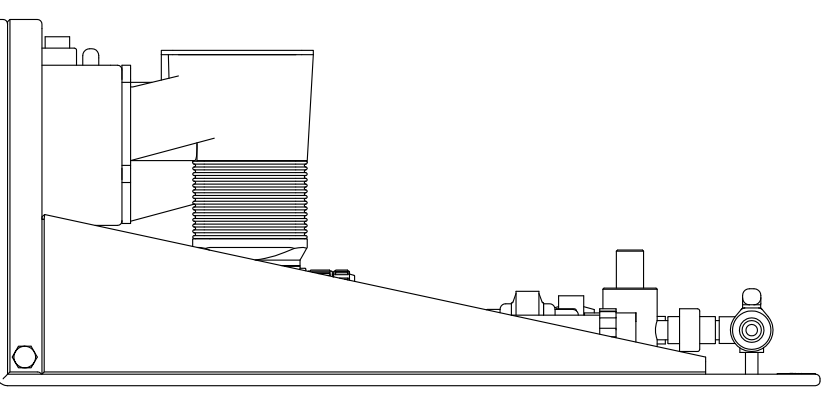
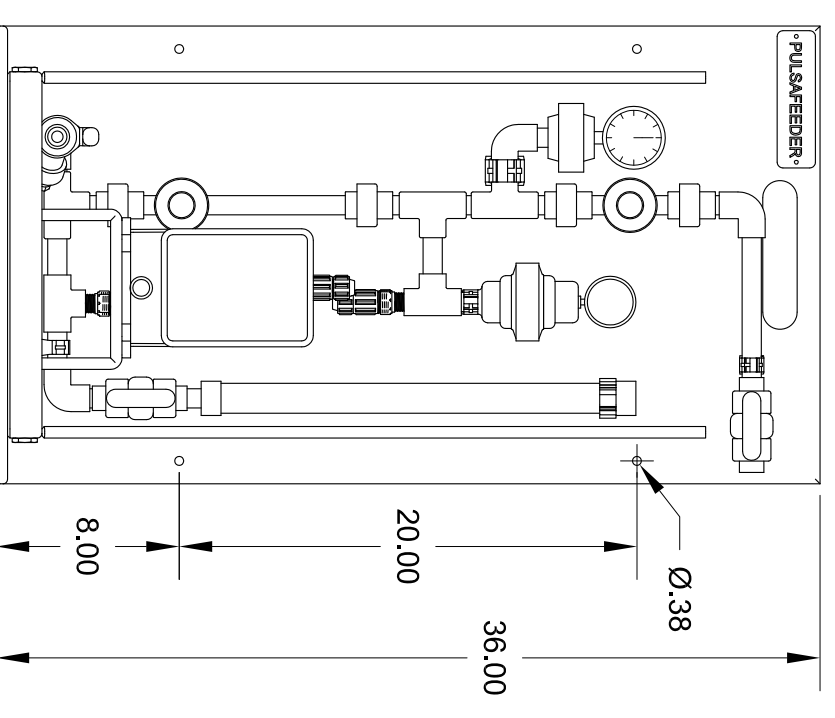
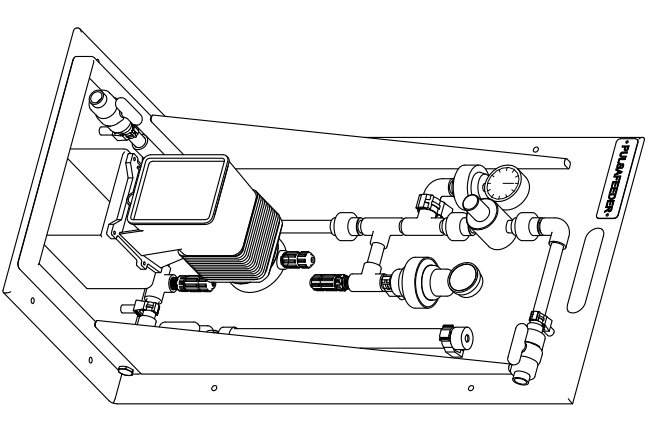
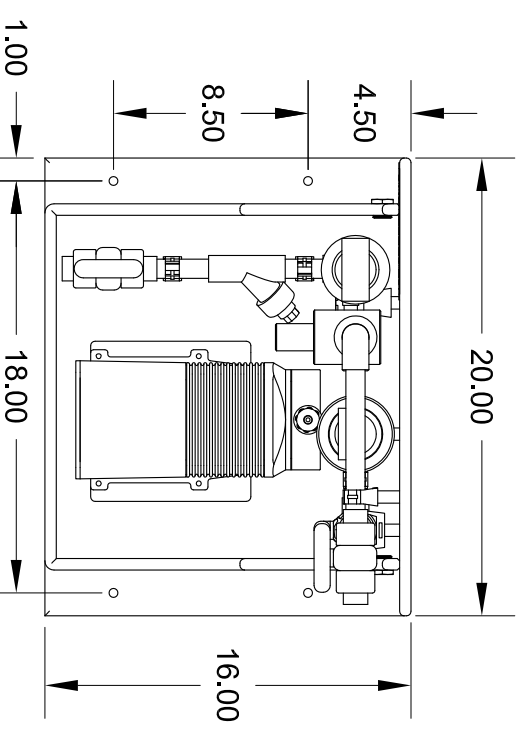


DWG NO.	PES1S-DPID	SHEET	1 OF 1
REV	REVISION DESCRIPTION	APPROVD	DATE
A	RELEASE	JPH	8/25/11



	METERING PUMP
	PULSATION DAMPENER
	PRESSURE GAUGE W/ ISOLATOR
	TRUE UNION BALL VALVE
	BACK PRESSURE VALVE
	PRESSURE RELIEF VALVE
	UNION
	Y-STRAINER
	CALIBRATION COLUMN

INTERPRET GEOMETRIC TOLERANCING PER ASME Y14.5M-1994		
UNLESS OTHERWISE SPECIFIED:		
TOLERANCE	±.050"	
XXX	±.015"	
XXX	±.005"	
XXX	±.005" (±.5°)	
ANGLES	BREAK ALL SHARP EDGES .015" MAX.	
ALL DIMENSIONS IN INCHES.		
DRW	PEC	8/25/11
CHK	JPH	8/25/11
APP	JPH	8/25/11

PULSAFEEDER
 27101 Airport Road
 Punta Gorda, Florida, 33982

TITLE
PES1S
 PID

REV **A** SIZE **B** PART NO. **PES1S-PID**

PROPRIETARY DATA: THIS DOCUMENT DISCLOSES INFORMATION AND DATA IN WHICH PULSAFEEDER HAS PROPRIETARY RIGHTS. THE RIGHT TO REPRODUCE, USE OR DISCLOSE IN WHOLE OR IN PART EXCEPT BY WRITTEN PERMISSION IS PROHIBITED.

FILE	SCALE	SHEET
PES1S-PID.DWG	NTS	1 OF 1