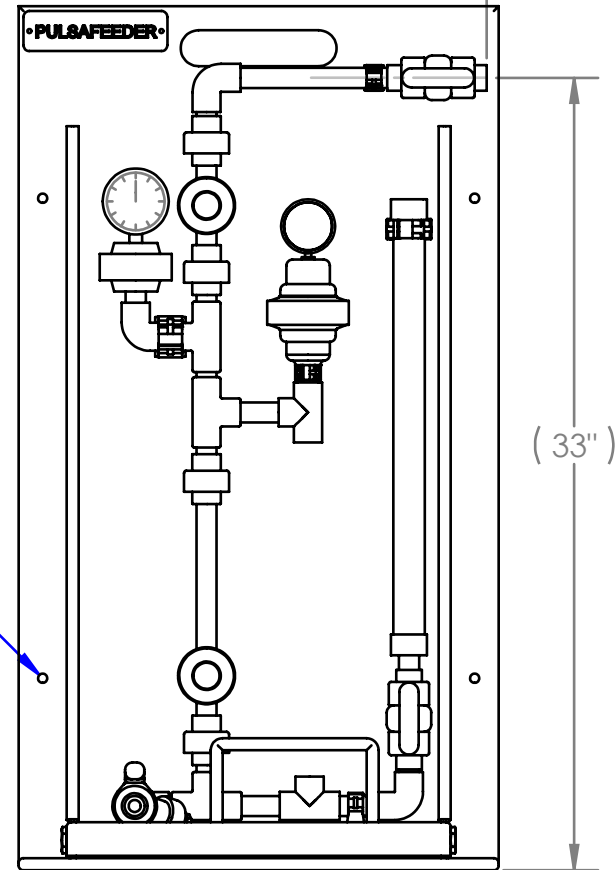
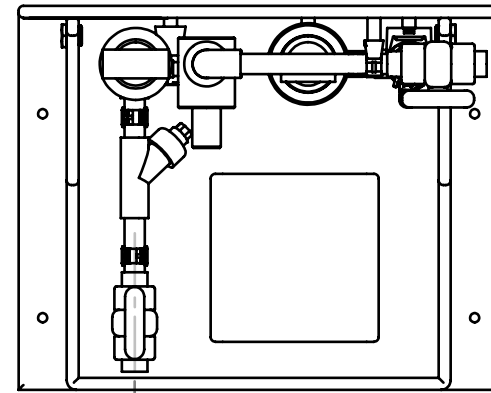
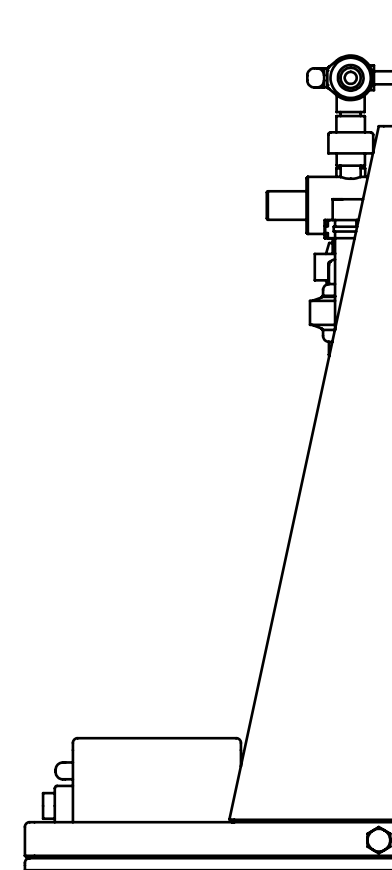


( 4 13/16" )      1/2"



REVISIONS			
REV.	DESCRIPTION	DATE	APPROVED
A	RELEASE ECO 00091	01-10-08	MD
B	DESIGN OPTIMIZATION ECO 00203	10-14-08	MD
C	ADD LONGER SCREW FOR NEW SPACERS. ECO 00334	01/08/10	JH



ITEM NO.	PART NUMBER	DESCRIPTION	QTY.
1	PES00018-001	PIPING ASSEMBLY, SIMPLEX/DUPLEX RT - STANDARD (VITON SEALS)	1
2	PES00000	SKID BASE WELDMENT, SIMPLEX/STANDARD	1
3	03-043-00	PLUG, PVC-80, 1/2" T	2
4	J25334	PULSAFEEDER NAME PLATE	1
5	U0810386	#10-32 X 1" LNG SCREW	4
6	L9804000-000		4
7	U0900857	SCREW, (SST), 6-20 X .38 TYPE-BT PHP	2
8	06-011-02		6
9	U0810036	#10-32 X 1.7" SCREW	3
10	L9801300-188		6
11	L9803300-188	SCREW(SST), #10-32 X 2.0 PHP	3

PROPRIETARY AND CONFIDENTIAL  
THE INFORMATION CONTAINED IN  
THIS DRAWING IS THE SOLE  
PROPERTY OF  
PULSAFEEDER SPO. ANY  
REPRODUCTION IN PART OR AS A  
WHOLE WITHOUT THE WRITTEN  
PERMISSION OF PULSAFEEDER  
IS PROHIBITED.

UNLESS OTHERWISE SPECIFIED:		NAME	DATE
DIMENSIONS ARE IN INCHES		DRAWN	PEC 12-17-07
TOLERANCES:		ENG APPR.	MD 01-10-08
FRACTIONAL: ±1/64			
ANGULAR: ± 1/2°			
X.X=.050in.			
X.XX=.015in.			
X.XXX=.005in.			
INTERPRET GEOMETRIC TOLERANCING PER: ASME Y14.5M-1994		COMMENTS:	
MATERIAL	(SEE NOTES)		
FINISH	(SEE NOTES)		
DO NOT SCALE DRAWING			

**PULSAFEEDER**  
IPEX CORPORATION

TITLE:  
**SKID ASSEMBLY,  
SIMPLEX/STANDARD  
(VITON SEALS)**

SIZE <b>B</b>	DWG. NO. <b>PES1S-V</b>	REV C
------------------	----------------------------	----------

SCALE: 1:1      SHEET 1 OF 1