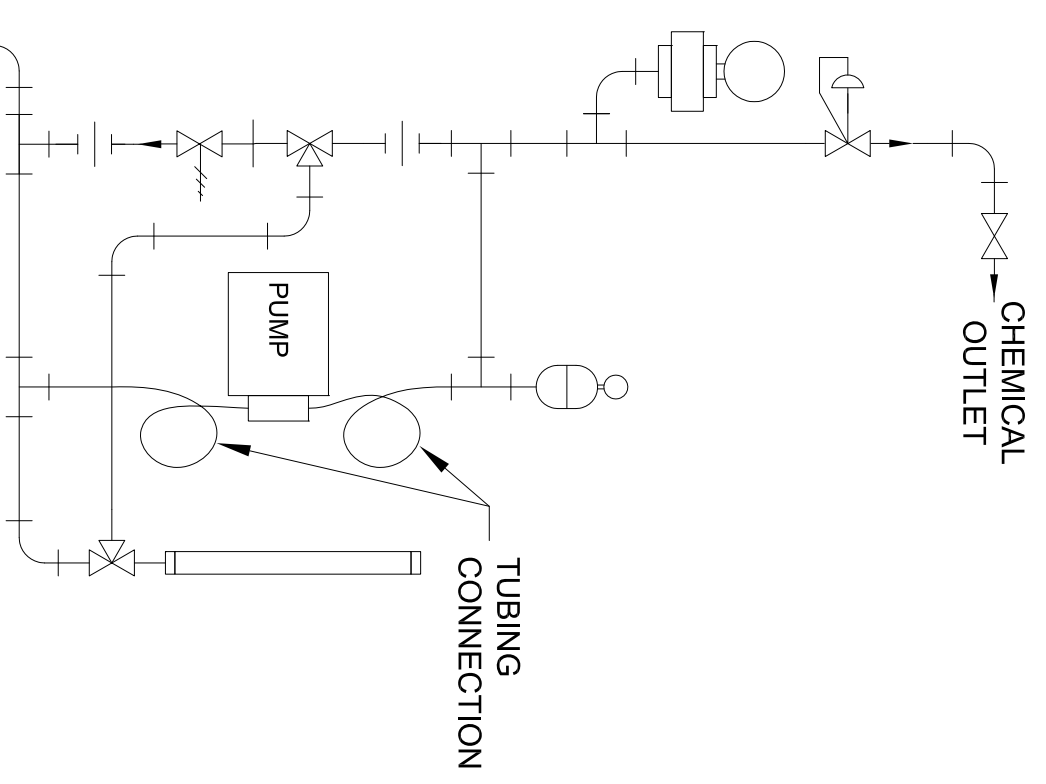
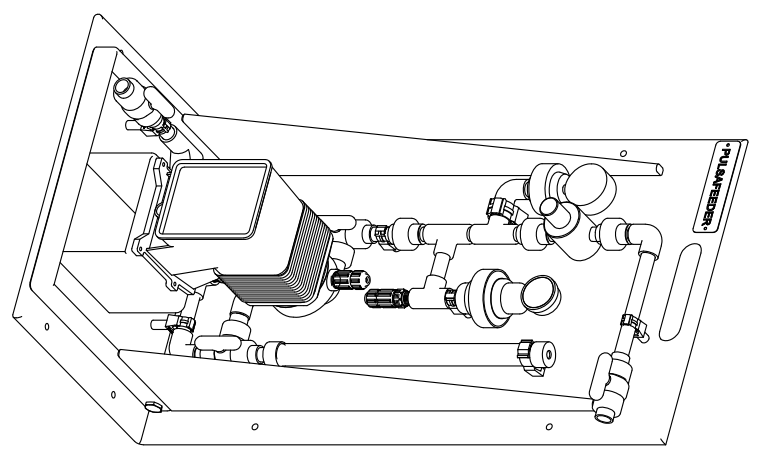
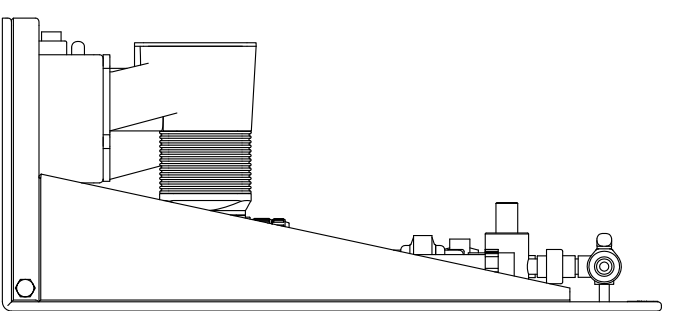
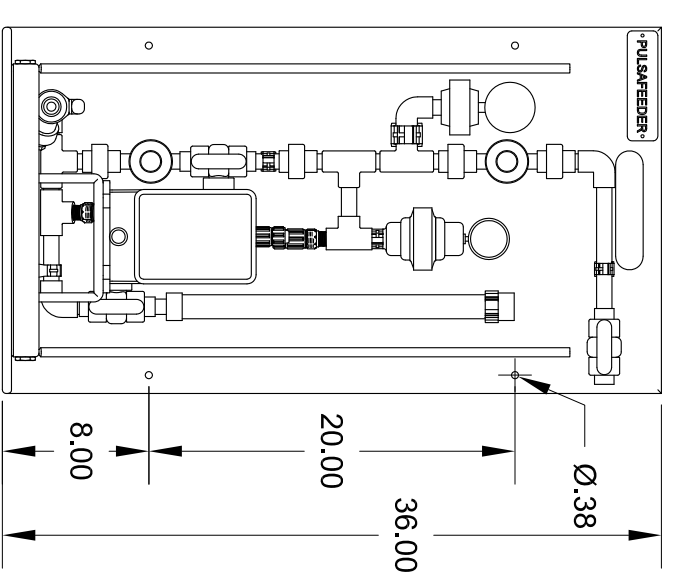
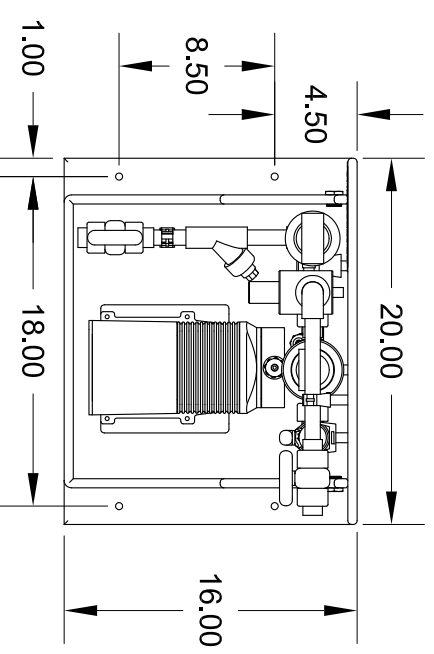


DWG NO.	PES1SCF-DPID	SHEET	1 OF 1
REV	REVISION DESCRIPTION	APPROVD	DATE
A	RELEASE	JPH	9/26/11



	METERING PUMP
	TRUE UNION 3 WAY BALL VALVE
	PULSATION DAMPENER
	PRESSURE GAUGE W/ ISOLATOR
	TRUE UNION BALL VALVE
	BACK PRESSURE VALVE
	PRESSURE RELIEF VALVE
	Y-STRAINER
	UNION
	CALIBRATION COLUMN

INTERPRET GEOMETRIC TOLERANCING PER ASME Y14.5M-1994 UNLESS OTHERWISE SPECIFIED.		DRW	PEC	9/26/11
TOLERANCE	±.050"	CHK	JPH	9/26/11
XXX	±.015"	APP	JPH	9/26/11
XXX	±.005"	MACHINED SURFACES ROUGHNESS 125		
XXX	±0°30'(±.5°)	BREAK ALL SHARP EDGES .015" MAX.		
ANGLES				
ALL DIMENSIONS IN INCHES.				
 27101 Airport Road Punta Gorda, Florida, 33982				
REV	SIZE	PART NO.	TITLE	
A	B	PES1SCF-DPIP	PES1SCF PID	
FILE	SCALE	SHEET		
PES1SCF-DPID.DWG	NTS	1 OF 1		

PROPRIETARY DATA: THIS DOCUMENT DISCLOSES INFORMATION AND DATA IN WHICH PULSAFEEDER HAS PROPRIETARY RIGHTS. THE RIGHT TO REPRODUCE, USE OR DISCLOSE IN WHOLE OR IN PART EXCEPT BY WRITTEN PERMISSION IS PROHIBITED.