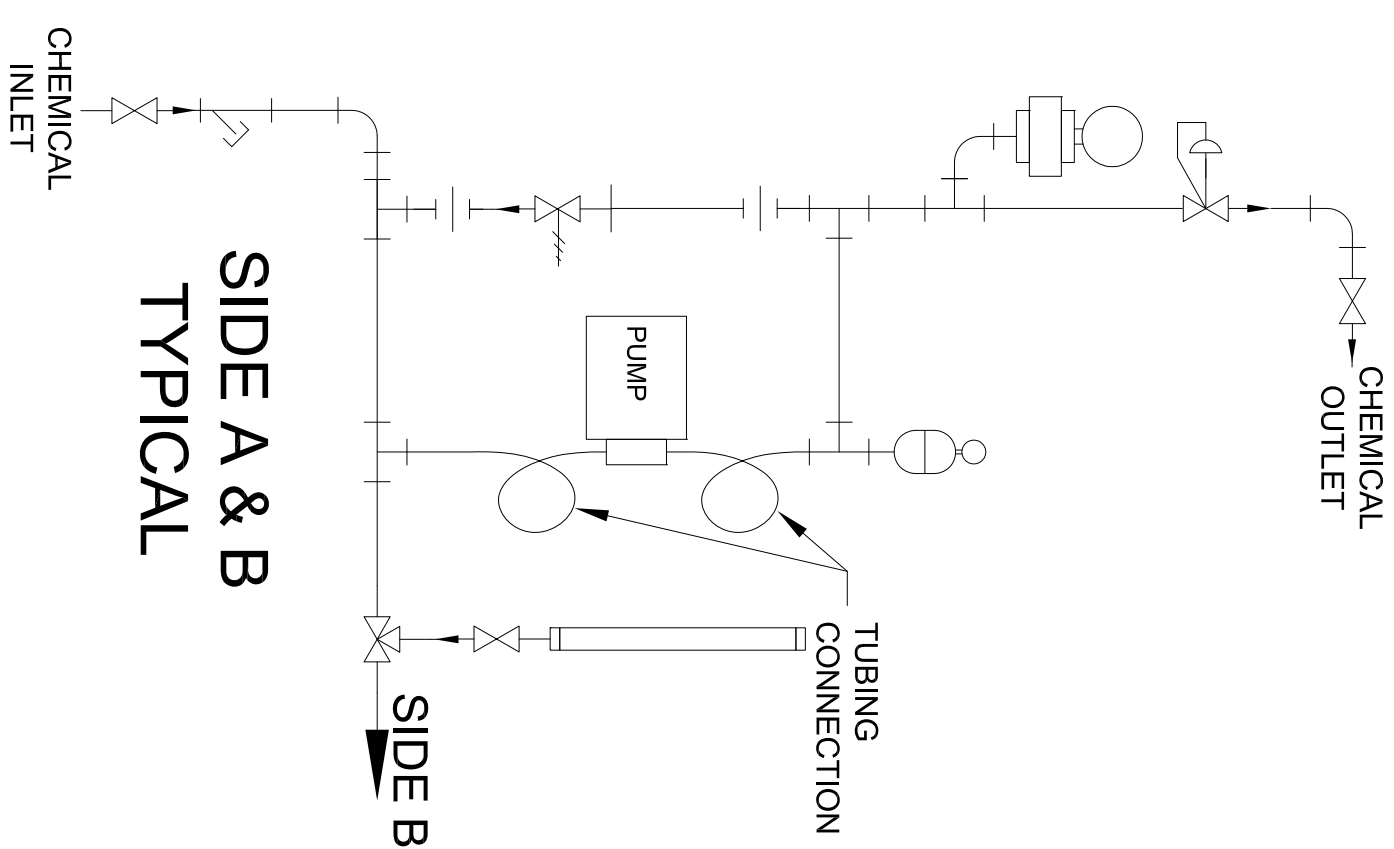
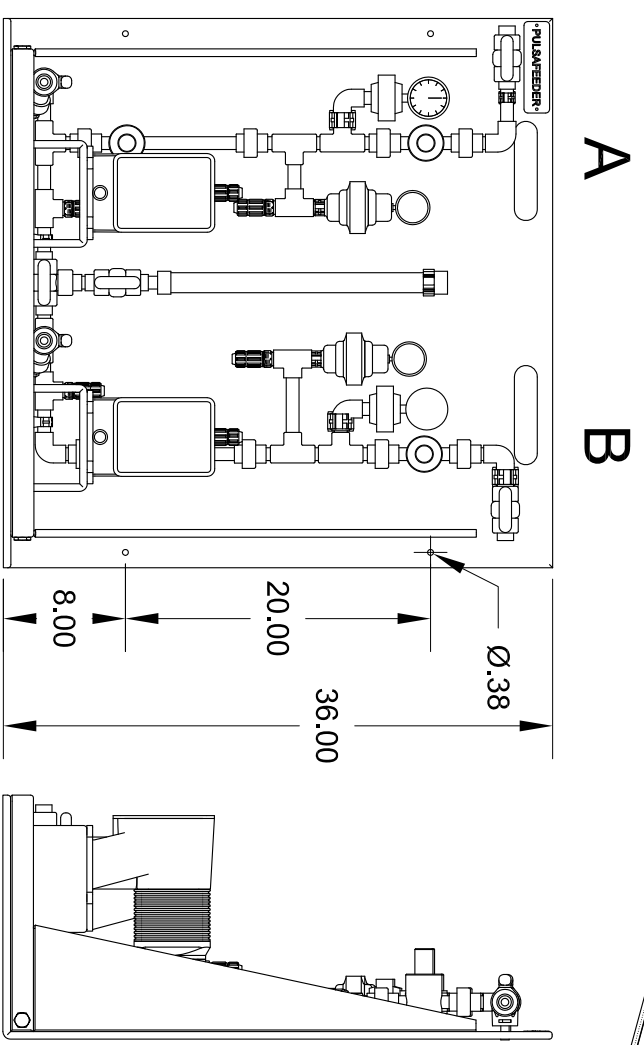
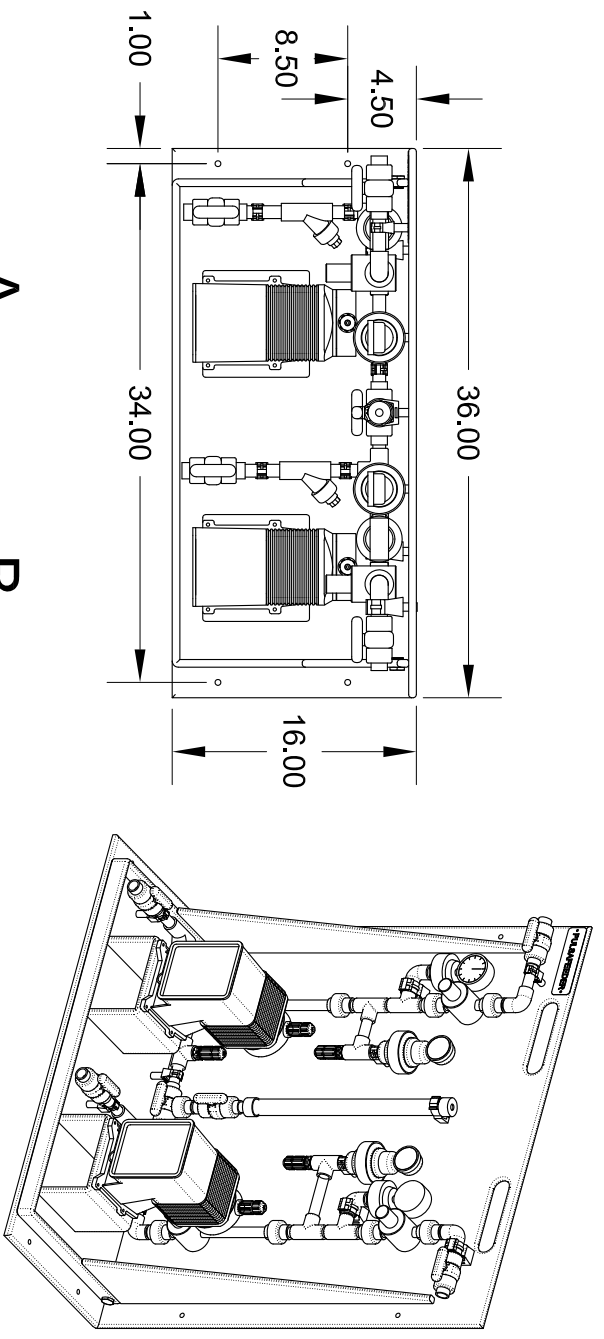


DWG NO.	PES2A-PID	SHEET	1 OF 1
REV	REVISION DESCRIPTION	APPROVD	DATE
A	RELEASE	JPH	9/26/11



**SIDE A & B
TYPICAL**

	METERING PUMP
	TRUE UNION 3 WAY BALL VALVE
	PULSATION DAMPENER
	PRESSURE GAUGE W/ ISOLATOR
	TRUE UNION BALL VALVE
	BACK PRESSURE VALVE
	PRESSURE RELIEF VALVE
	Y-STRAINER
	UNION
	CALIBRATION COLUMN

INTERPRET GEOMETRIC TOLERANCING PER ASME Y14.5M-1994 UNLESS OTHERWISE SPECIFIED.		DRW	PEC	9/26/11	 27101 Airport Road Punta Gorda, Florida, 33982
TOLERANCE	±.050"	CHK	JPH	9/26/11	
SURFACES	±.015"	APP	JPH	9/26/11	
ROUGHNESS	±.005"				
ANGLES	±0°30' (±.5°)				
BREAK ALL SHARP EDGES .015" MAX. ALL DIMENSIONS IN INCHES.					TITLE
					PES2A
					PID
REV	SIZE	PART NO.			
A	B	PES2A-PID			
FILE	SCALE	SHEET			
PES2A-PID.DWG	NTS	1 OF 1			

PROPRIETARY DATA: THIS DOCUMENT DISCLOSES INFORMATION AND DATA IN WHICH PULSAFEEDER HAS PROPRIETARY RIGHTS. THE RIGHT TO REPRODUCE, USE OR DISCLOSE IN WHOLE OR IN PART EXCEPT BY WRITTEN PERMISSION IS PROHIBITED.