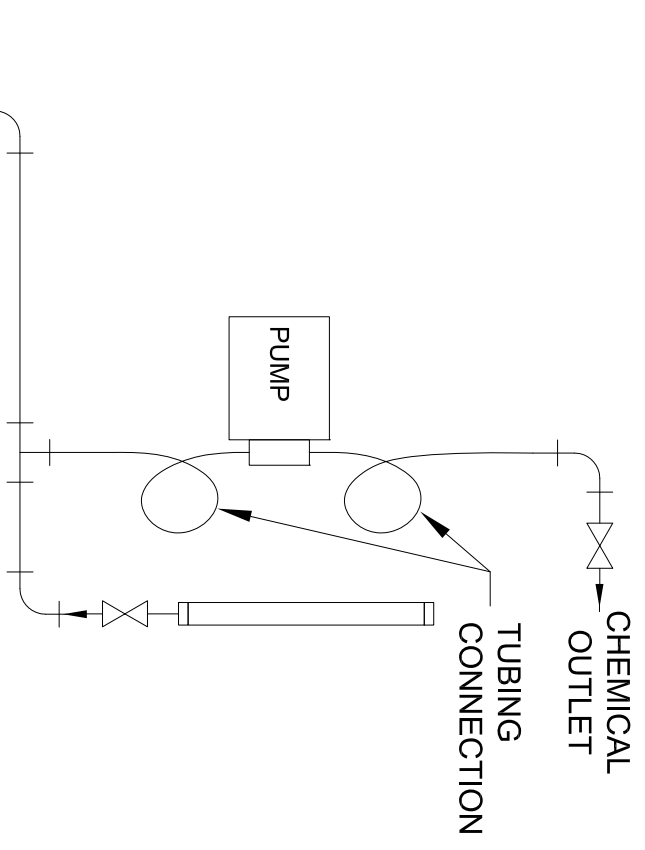
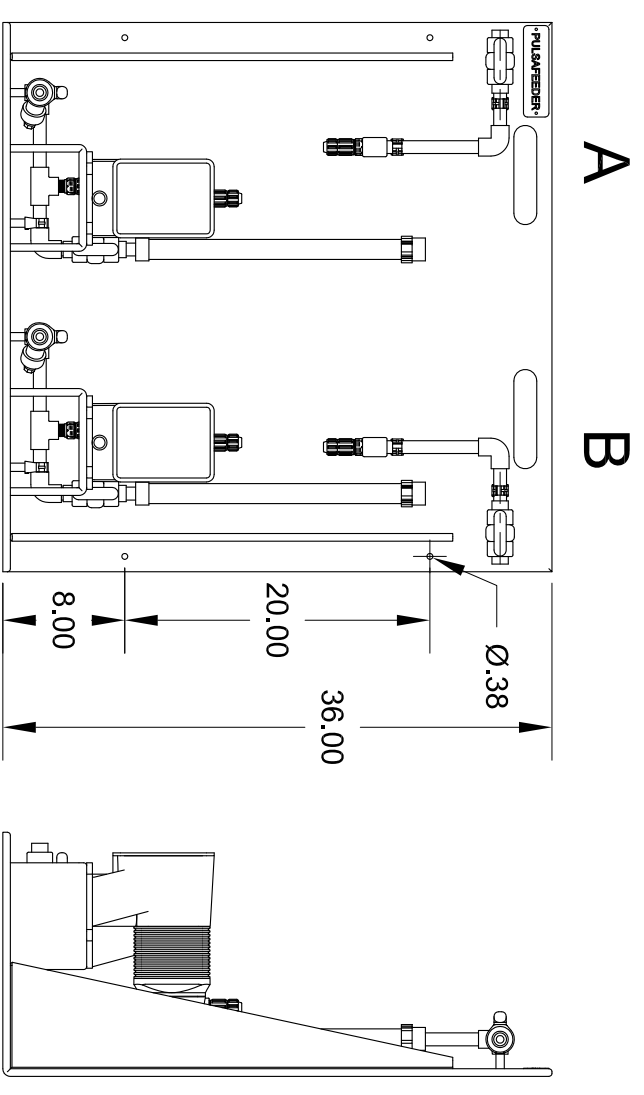
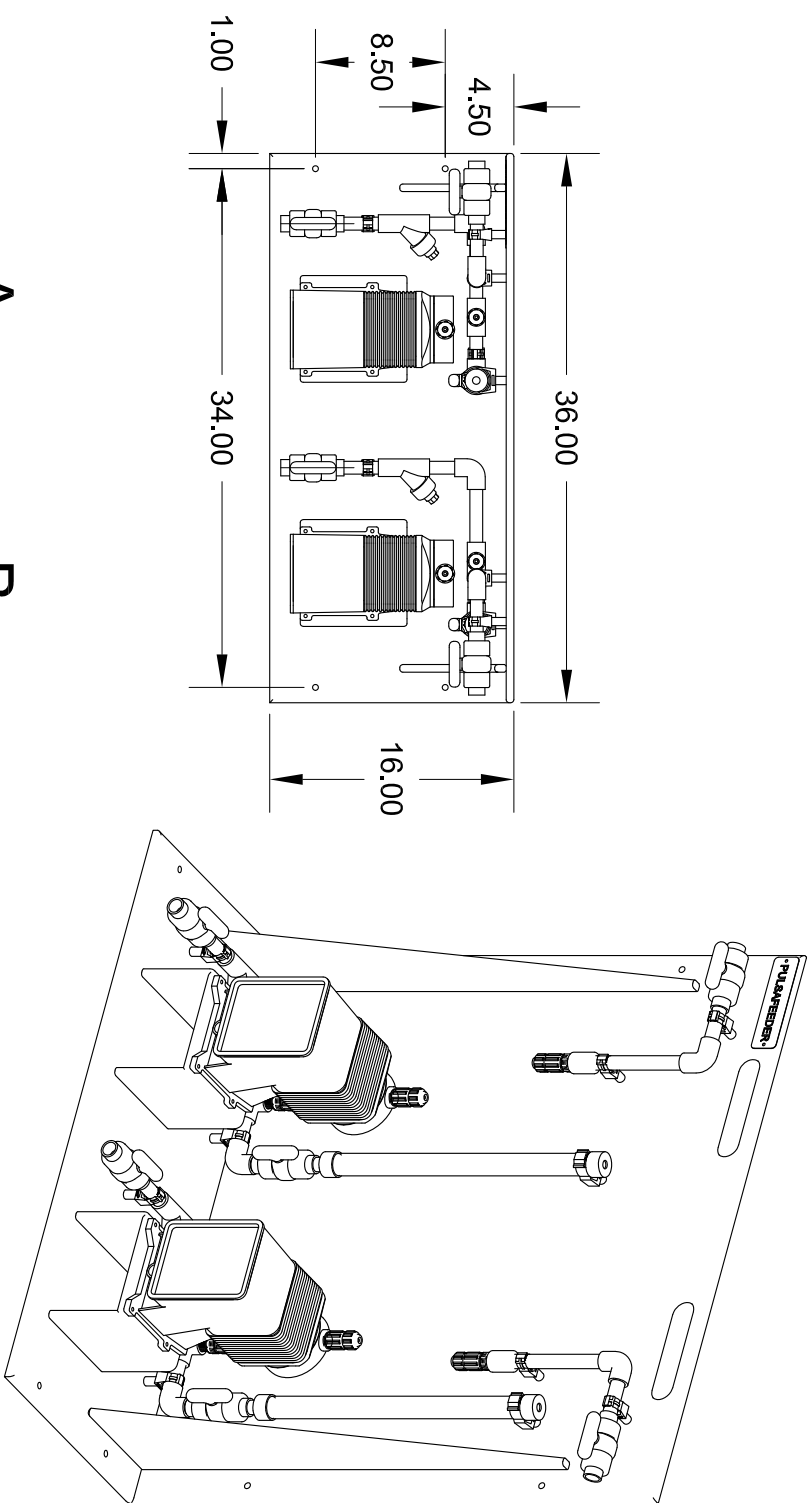


DWG NO.	PES2B-PID	SHEET	1 OF 1
REV	REVISION DESCRIPTION	APPROVD	DATE
A	RELEASE	JPH	9/26/11



SIDE A & B TYPICAL

	METERING PUMP
	TRUE UNION BALL VALVE
	Y-STRAINER
	CALIBRATION COLUMN

INTERPRET GEOMETRIC TOLERANCING PER ASME Y14.5M-1994 UNLESS OTHERWISE SPECIFIED.		DRW	PEC	9/26/11
TOLERANCE	±.050"	CHK	JPH	9/26/11
XXX SURFACES	±.015"	APP	JPH	9/26/11
XXX ROUGHNESS	±.005"			
XXX ANGLES	±0°30' (±.5°)			
BREAK ALL SHARP EDGES .015" MAX.				
ALL DIMENSIONS IN INCHES.				

PROPRIETARY DATA: THIS DOCUMENT DISCLOSES INFORMATION AND DATA IN WHICH PULSAFEEDER HAS PROPRIETARY RIGHTS. THE RIGHT TO REPRODUCE, USE OR DISCLOSE IN WHOLE OR IN PART EXCEPT BY WRITTEN PERMISSION IS PROHIBITED.

PULSAFEEDER
 27101 Airport Road
 Punta Gorda, Florida, 33982

REV	SIZE	PART NO.
A	B	PES2B-PID
FILE	SCALE	SHEET
PES2B-PID.DWG	NTS	1 OF 1