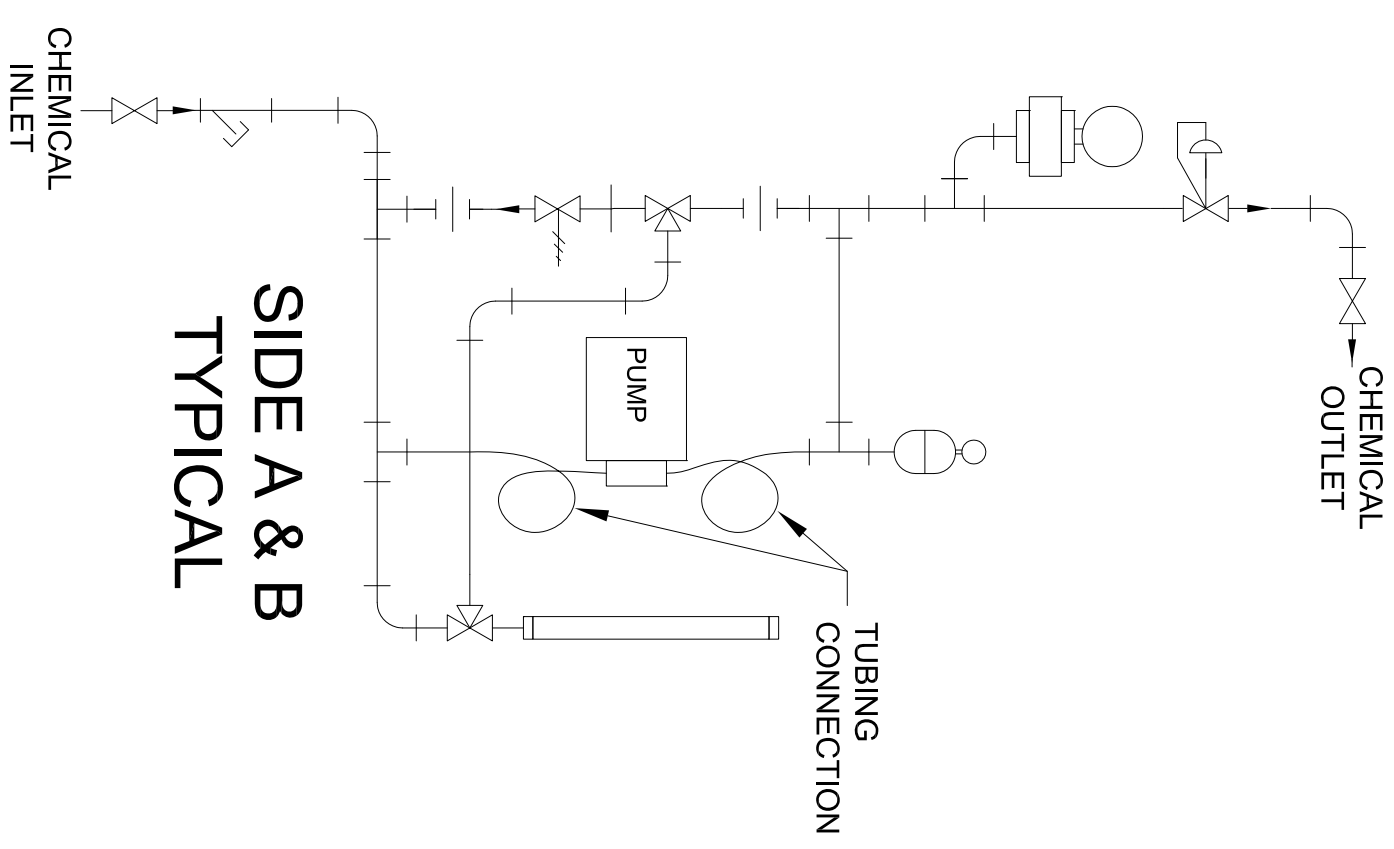
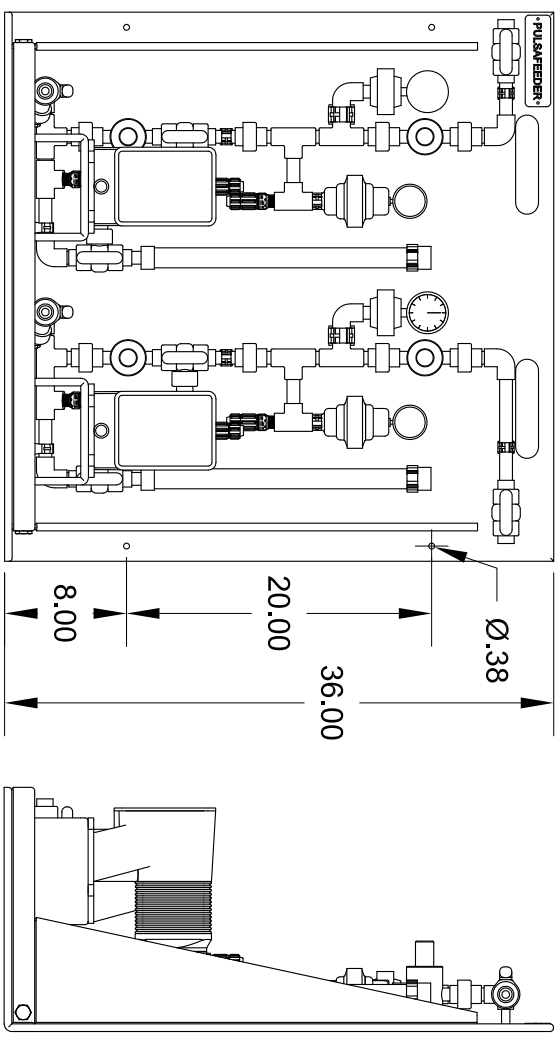
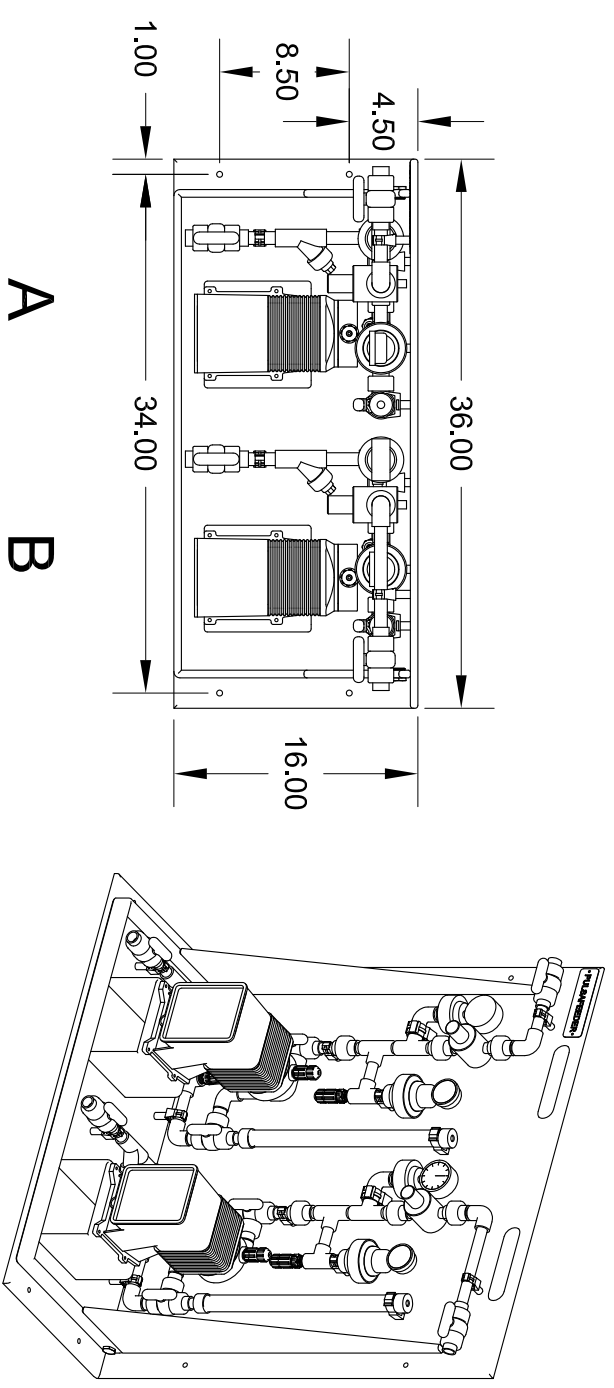


DWG NO.	PES2SCF-DPID	SHEET	1 OF 1
REV	REVISION DESCRIPTION	APPROVD	DATE
A	RELEASE	JPH	9/26/11



	METERING PUMP
	TRUE UNION 3 WAY BALL VALVE
	PULSATION DAMPENNER
	PRESSURE GAUGE W/ ISOLATOR
	TRUE UNION BALL VALVE
	BACK PRESSURE VALVE
	PRESSURE RELIEF VALVE
	Y-STRAINER
	UNION
	CALIBRATION COLUMN

INTERPRET GEOMETRIC TOLERANCING PER ASME Y14.5M-1994 UNLESS OTHERWISE SPECIFIED.		DRW	PEC	9/26/11
TOLERANCE		CHK	JPH	9/26/11
XX	±.050"	APP	JPH	9/26/11
XXX	±.015"	MACHINED SURFACES ROUGHNESS 125		
XXXX	±.005"	ALL DIMENSIONS IN INCHES.		
XXXX	±0°30'(±.5°)	BREAK ALL SHARP EDGES .015" MAX.		
<p>PULSAFEEDER 27101 Airport Road Punta Gorda, Florida, 33982</p>				
REV	SIZE	PART NO.	TITLE	
A	B	PES2SCF-PID	PES1SCF PID	
FILE	SCALE	SHEET		
PES2SCF-PID.DWG	NTS	SHEET 1 OF 1		

PROPRIETARY DATA: THIS DOCUMENT DISCLOSES INFORMATION AND DATA IN WHICH PULSAFEEDER HAS PROPRIETARY RIGHTS. THE RIGHT TO REPRODUCE, USE OR DISCLOSE IN WHOLE OR IN PART EXCEPT BY WRITTEN PERMISSION IS PROHIBITED.