

The Wall Mount Bracket allows a pump to be mounted on a wall or other vertical support in applications where it is necessary to have the pump mounted above a tank or drum.

Pulsafeeder has two types of materials for wall mount brackets available to suit your needs. Brackets are available in either plastic or steel. These wall mount brackets will provide a stable mounting surface for your pump with mounting hardware included, making installation simple.

#### Side Mount Bracket

For pumps that need to be side mounted the plastic wall mount bracket will hold a pump up to 22 pounds and Pulsafeeder's 12 gauge stainless steel wall mount bracket can hold a pump up to 50 pounds.

#### Forward Mount Bracket

For pumps requiring forward mount position Pulsafeeder's 14 gauge steel with black epoxy coat finish will support PULSAtron pumps with the #1 or #2 size housings.\*

PULSAtrons with a #3 size housing are the Series MP, E+, E Series models (H4, H5, H6, H7, H8, K7, J7).

### Features

#### Side Mount Bracket

- Material: Heavy Duty ABS Plastic or 12 Gauge Stainless Steel
- Universal pump mount
- Mounting hardware included
- Stainless Steel predrilled

#### Forward Mount Bracket

- 14 Gauge Steel with Black Epoxy Coat Finish
- Predrilled

### Operating Benefits

- Makes pump installation simple.
- Stable mounting surface for pumps.



### Aftermarket

- Water Meters
- Gauges
- Dampeners
- Pressure Relief Valves
- Tanks
- Pre-Engineered Systems



## Wall Mount Bracket

# Wall Mount Bracket

## Specifications and Model Selection

Wall Mounting Bracket Assemblies		
Mount	Material - Max Pump Wt.	Part Number
Side	Plastic, 22 lbs	L9908200-000
	12 Ga. SS, 50 lbs	L9902700-000
Forward	*14 Ga. Stl, 50 lbs	L9911600-STL

\*14 Gauge steel w/ black epoxy coat finish

## Integrated Tank Systems



### Integrated Tank Systems

Pulsafeeder's ITS System is a completely integrated tank system constructed of high density UV resistant polyethylene (PE) with a 15 gallon capacity. This tank system is translucent with 5 gallon increments and the tank's low level indicator allows visual monitoring of chemicals without opening the tank. The tight fitting child proof lid keeps the chemical free of contaminants and protects the surrounding area from chemical fumes.

The ITS System also allows for easy access to the liquid end and control panel of the mounted pump.

A system consists of a chemical tank with lid and bulkhead fittings; a liquid level indicator float assemble and feeder mounting hardware.

## Custom Engineered Designs – Pre-Engineered Systems

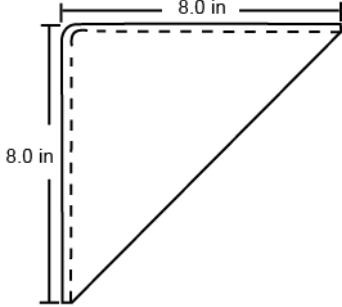


### Pre-Engineered Systems

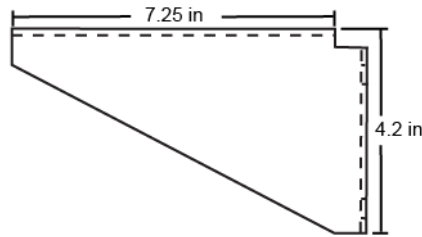
Pulsafeeder's Pre-Engineered Systems are designed to provide complete chemical feed solutions for all electronic metering applications. From stand alone simplex pH control applications to full-featured, redundant sodium hypochlorite disinfection metering, these rugged fabricated assemblies offer turn-key simplicity and industrial-grade durability. The UV-stabilized, high-grade HDPE frame offers maximum chemical compatibility and structural rigidity. Each system is factory assembled and hydrostatically tested prior to shipment.

## Dimensions

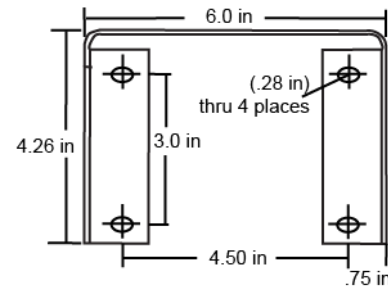
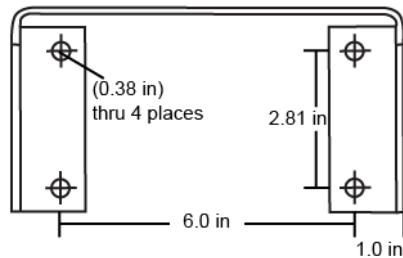
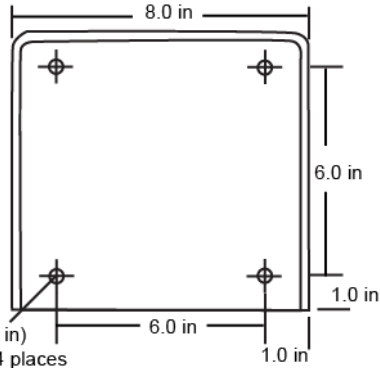
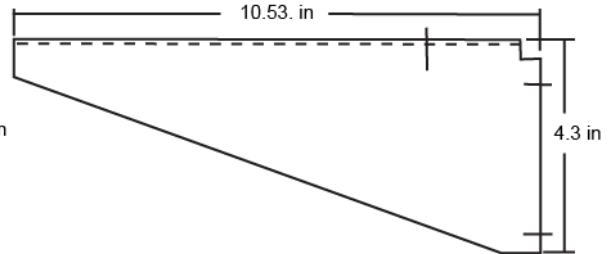
Plastic Side Mount



Stainless Steel Side Mount



Steel Forward Mount



[pulsafeeder.com](http://pulsafeeder.com)



27101 Airport Rd  
Punta Gorda, FL 33982  
Phone: ++1(941) 575-3800  
Fax: ++1(941) 575-4085

An ISO 9001 and ISO 14001 Certified Company



WMB001 D12