



## PRIME PERFORMANCE SERIES

*Guided quad check valve system*

The **Chem-Tech PRIME PERFORMANCE Series** pumps have a specially designed degassing valve system for applications using off-gassing chemicals like sodium hypochlorite. Built upon motorized-diaphragm technology, the **PRIME PERFORMANCE Series** delivers dependable performance, extended longevity and consistent metering over long periods of time in a compact form.

A top-mounted, one-way vent valve assembly evacuates gas bubbles from the pump head, providing for **reliable** operation.

Simple, adjustable stroke system with locking lever provide **easy** flowrate control and turndown.

The compact, injection-molded housing and PVC pump head offer both **affordability** and chemical resistance.



*Chemically Resistant Materials*

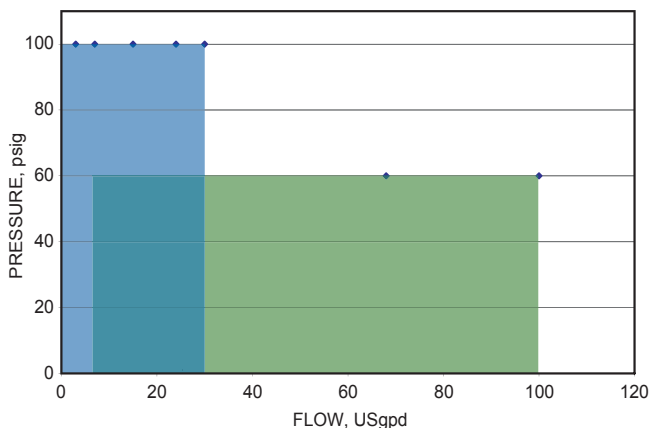
*Degassing pump head*

*Feed Rate Control*

*Self Priming*

*Sealed Gear Train*

*Simple Installation*



The industrial grade, low-stress diaphragm provides **long life**, even in the harshest conditions or longest duty cycles.

**PP100 Models** - Perfect for off-gassing applications where economical, consistent performance is required. Capable of a wide range of flows, from less than 3 USgpd up to 30 USgpd and pressures up to 100 psig.

**PP150 Models** - Built upon the same solid platform as the 100 Models, these units are capable of higher flowrates. With a range offering up to 100 USgpd, the Series 150 can meet the demands of larger applications. Maximum pressure is 60 psig.

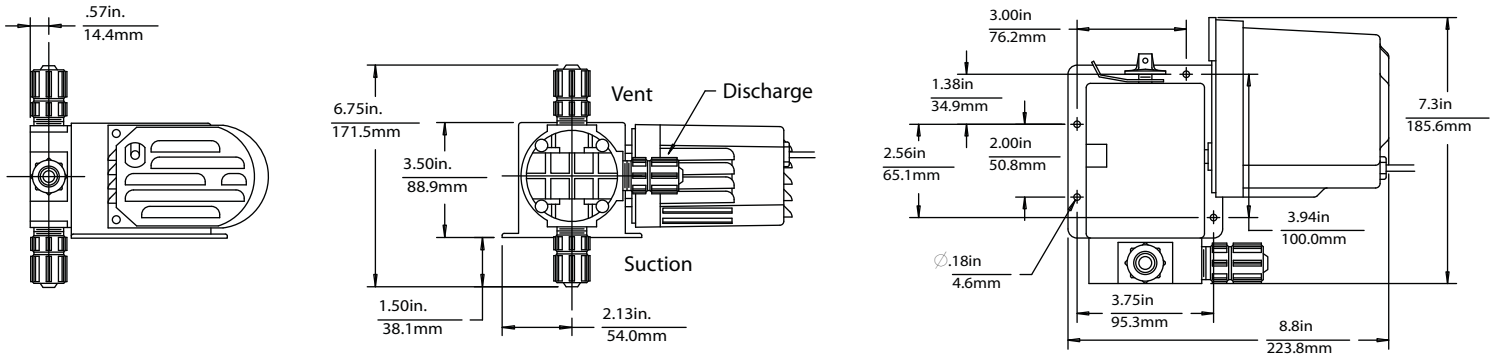
## Chem-Tech Prime Performance Selection Guide

<b>MODELS:</b>	<b>Series PP100, Maximum Pressure 100 psig (7 bar)</b> X015 = 15 USgpd (2.34 lph), 25 SPM, 0.59 FLA @ 115V X024 = 24 USgpd (3.78 lph), 51 SPM, 0.75 FLA @ 115V X030 = 30 USgpd (4.72 lph), 51 SPM, 0.79 FLA @ 115V <b>Series PP150, Maximum Pressure 60 psig (4.2 bar)</b> X068 = 68 USgpd (10.71 lph), 51 SPM, 1.0 FLA @ 115V X100 = 100 USgpd (15.76 lph), 70 SPM, 1.0 FLA @ 115V
<b>ELECTRICAL:</b>	XA = 115V, 60Hz XB = 230V, 50Hz XC = 230V, 60Hz
<b>WETTED MATERIALS</b> <small>Pump Head, Fittings / Seats &amp; O-Rings / Balls</small>	BAA = PVC, Hypalon, Ceramic BBA = PVC, Viton, Ceramic
<b>CONNECTION SIZES:</b>	6 = Tubing 0.38" Black PE suction / 0.38" Black PE discharge / 0.38" Black PE return 8 = Tubing 0.38" PVC suction / 0.38" PE discharge / 0.38" PVC return 7 = Tubing 0.50" Black PE suction / 0.50" Black PE discharge / 0.50" Black PE return 9 = Tubing 0.50" PVC suction / 0.50" PE discharge / 0.50" PVC return
<b>SUFFIX CODES</b>	XXX = Standard 001 = Current Interrupter 15T = 15 gal tank w/ bulkhead for vent, level wand, safety cap & fasteners 35T = 35 gal tank w/ bulkhead for vent and fasteners

Example complete part number: X030-XA-BAA6XXX

Specifications		Optional
<b>Max. Viscosity</b>	20 Cps	
<b>Enclosure</b>		
<b>Temperature Limitations</b>	125F / 51C max.	
<b>Electrical Requirements</b>	115V / 60 Hz	230V / 60Hz or 230V / 50Hz
<b>Shipping Weight</b>	8 lbs. / 3.63kg.	

\* Specifications subject to change without notice



An ISO Certified Company

**PULSAFEEDER**

**IDEX**  
FLUID & METERING

CTI-008 K09

**Standard Product Operations**

27101 Airport Road • Punta Gorda, Florida 33982  
 TEL (941) 575-3800 • TEL 800-333-6677  
 FAX (941) 575-4085 • FAX 800-456-4085  
 spottech@idexcorp.com • www.pulsafeeder.com