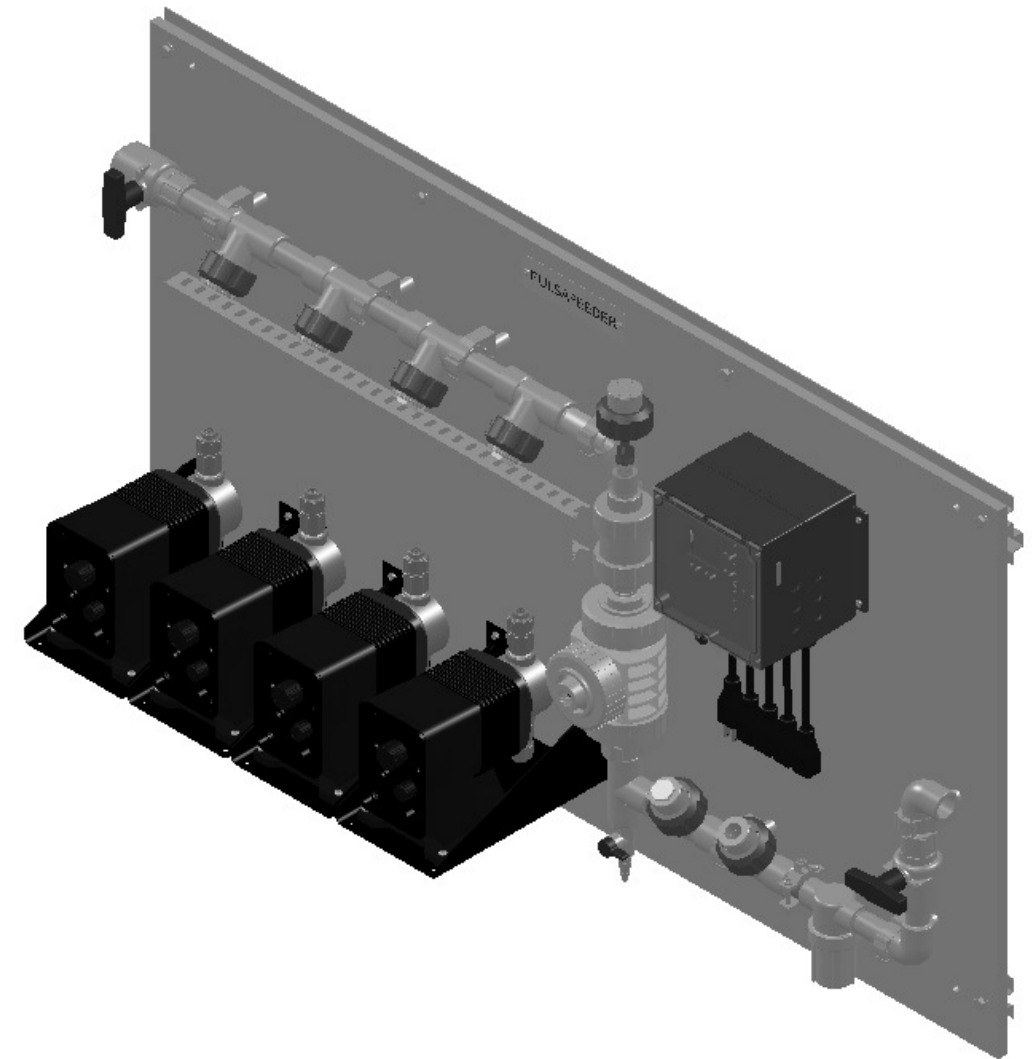


DWG NO.	15-100-06			SHEET 1	OF 2
REV.	DESCRIPTION	DATE	MOD	CHK'D	
A	RELEASED	12/5/2016	CAW	LAC	

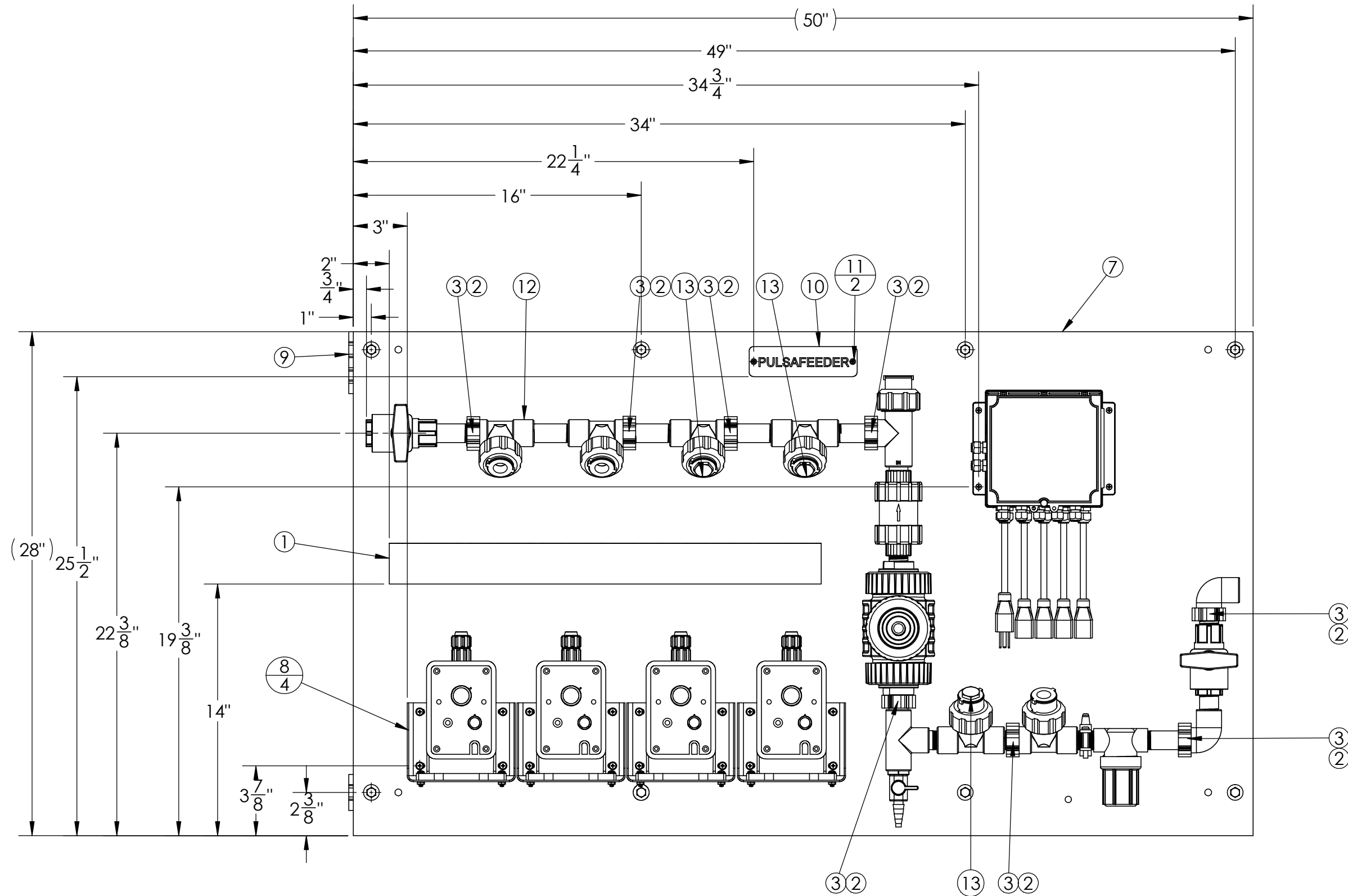


ITEM NO.	PART NUMBER	DESCRIPTION	QTY.
1	16-288-10	KIT,24"WIRE DUCT H/HDW, PE PNL	1
2	06-011-02	TEE NUT,10-32,.24BARREL,3PRONG	8
3	U0813501	SCR,PH,SST, 10-32 1.50	8
4	J42310	WIRE TIE (NYLON),3-LG.X.10-WIDE	1
5	06-011-05	TEE NUT,8-32,.22BARREL,3PRONG	4
6	06-162-01	SCR,8-32X.75,PHIL PAN HD,SS188	4
7	02-300-60	PANEL,(PE) 46X28X.5/CTS	1
8	L9912200-000	KIT,PMP MTG BRKT,PE PANEL,STD.	4
9	L9912403-000	KIT, RAIL MTG./CTS PANEL 50"	1
10	J25334	LABEL(LEXAN), LOGO NAMEPLATE	1
11	U0900857	SCR(SST),6-20 X.38 TYPE-BT PHP	2
12	15-200-03	PIPE ASSY, QUAD PUMP, MVEX	1
13	03-043-00	PLUG, PVC-80, 1/2" T	3
14	NC170004-000	LABEL, DECAL EARTH GROUND SYM	1

NOTES:

1. PUMPS NUMBER ON WORK ORDER/SALES ORDER.
2. CONTROLLER PART NUMBER IS ON WORK ORDER (PROBE IS INCLUDED WITH CONTROLLER.
3. ITEM 4 NOT SHOWN.

INTERPRET GEOMETRIC TOLERANCING PER ASME Y14.5M-1994 UNLESS OTHERWISE SPECIFIED		DWN	CAW	12/05/2016	
TOLERANCE	MACHINED SURFACES ROUGHNESS	CHK	LAC	12/15/2016	
X.X"	± .050"	UNCONTROLLED WHEN PRINTED-USER IS RESPONSIBLE TO VERIFY REVISION LEVEL OF THIS DOCUMENT PRIOR TO USE.			TITLE
X.XX"	± .015"				PANEL ASSY, D+, MVEX
X.XXX"	± .005"				REV A SIZE B DWG NO 15-100-06
ANGLES	± 0°30'				FILE 15-100-06 SCALE: 1:8 SHEET 1 OF 2
BREAK ALL SHARP EDGES .015" MAX. ALL DIMENSIONS IN INCHES		PROPRIETARY DATA: THIS DOCUMENT DISCLOSES INFORMATION AND DATA IN WHICH PULSAFEEDER HAS PROPRIETARY RIGHTS. THE RIGHT TO REPRODUCE, USE OR DISCLOSE IN WHOLE OR IN PART EXCEPT BY WRITTEN PERMISSION IS PROHIBITED.			



INTERPRET GEOMETRIC TOLERANCING PER ASME Y14.5M-1994 UNLESS OTHERWISE SPECIFIED		DWN	CAW	12/05/2016
TOLERANCE		MACHINED SURFACES ROUGHNESS 125Ra	CHK	LAC
X.X"	± .050"			
X.XX"	± .015"			
X.XXX"	± .005"			
ANGLES ± 0°30'		UNCONTROLLED WHEN PRINTED-USER IS RESPONSIBLE TO VERIFY REVISION LEVEL OF THIS DOCUMENT PRIOR TO USE.		
BREAK ALL SHARP EDGES .015" MAX. ALL DIMENSIONS IN INCHES				
PROPRIETARY DATA: THIS DOCUMENT DISCLOSES INFORMATION AND DATA IN WHICH PULSAFEEDER HAS PROPRIETARY RIGHTS. THE RIGHT TO REPRODUCE, USE OR DISCLOSE IN WHOLE OR IN PART EXCEPT BY WRITTEN PERMISSION IS PROHIBITED.				

PULSAFEEDER IDEX CORPORATION

TITLE
PANEL ASSY, D+, MVEX

REV	SIZE	DWG NO
A	B	15-100-06

FILE 15-100-06 SCALE: 1:6 SHEET **2** OF **2**