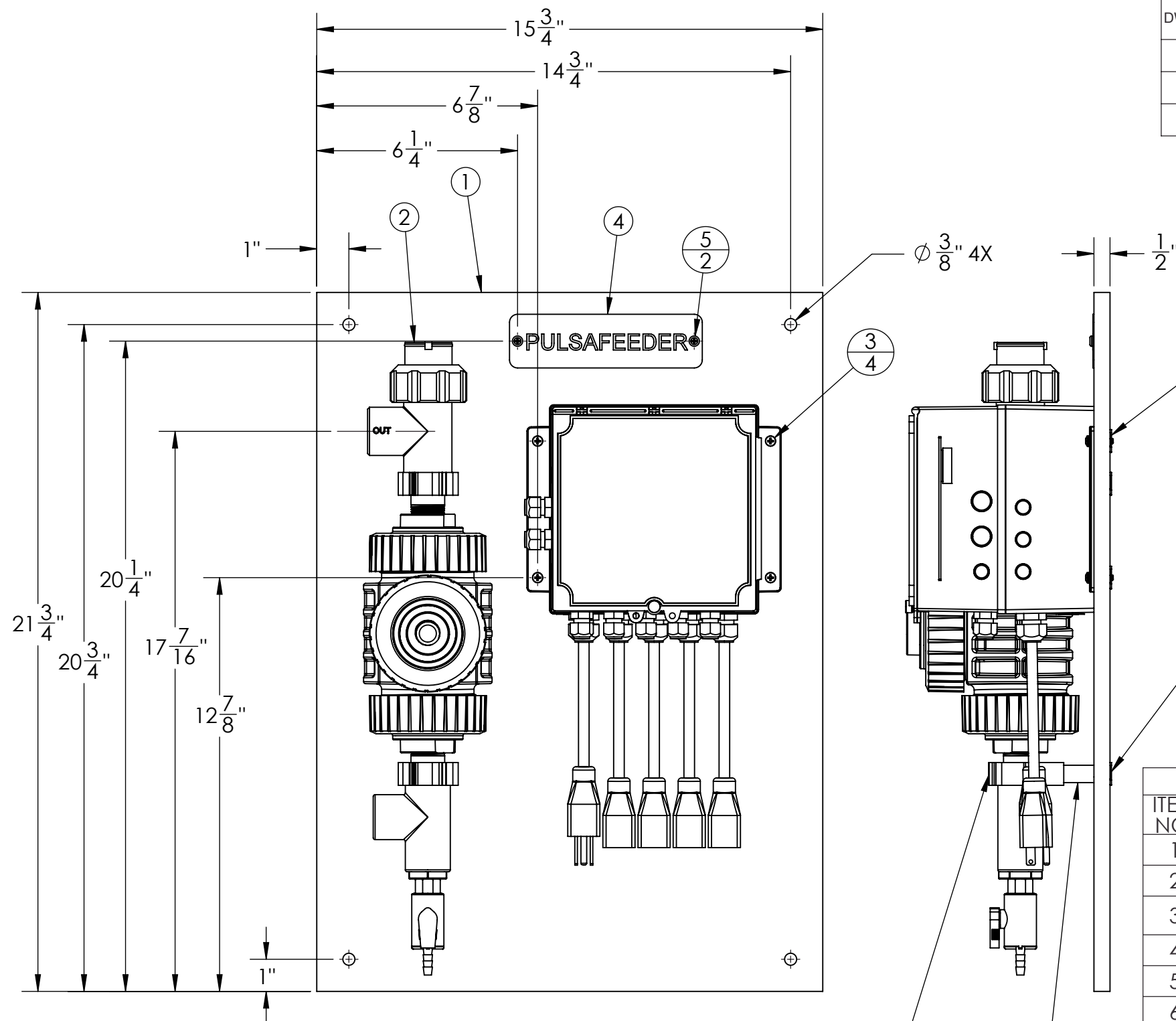


REV.	DESCRIPTION	DATE	MOD	CHK'D
A	RELEASED	1/30/2015	CAW	SB
B	UPDATED THE 03-301-11 TO BE THE SAME SIZE AS IN jde PER ECN 1100	8/3/2015	CAW	DEH



BILL OF MATERIALS				
ITEM NO.	PART NUMBER	DESCRIPTION	QTY.	
1	02-301-11	PANEL,22X16 POLYETHELINE	1	
2	16-600-05	PIPING ASSY,PROBE FLSW/TEE/VLV	1	
3	06-162-01	SCR,8-32X.75,PHIL PAN HD,SS188	4	
4	J25334	LABEL(LEXAN), LOGO NAMEPLATE	1	
5	U0900857	SCR(SST),6-20 X.38 TYPE-BT PHP	2	
6	06-011-05	TEE NUT,8-32,.22BARREL,3PRONG	4	
7	U0810036	SCR,PAN HD,CR,SST,10-32 1.75	2	
8	03-126-08	BRKT(NYL), 1.25"-PIPE #36-CLIC	2	
9	06-058-00	SPACER(PVC),10-0, 1"- LG	2	
10	06-011-02	TEE NUT,10-32,.24BARREL,3PRONG	2	

NOTES:

1. CONTROLLER INFORMATION WILL BE ON PURCHASE ORDER/WORK INSTRUCTIONS.
2. PROBE WILL BE ON PURCHASE ORDER/WORK ORDER INSTRUCTIONS.

INTERPRET GEOMETRIC TOLERANCING PER ASME Y14.5M-1994 UNLESS OTHERWISE SPECIFIED

TOLERANCE	MACHINED SURFACES	ROUGHNESS
X.X"	± .050"	125Ra
X.XX"	± .015"	
X.XXX"	± .005"	
ANGLES	± 0°30'	

BREAK ALL SHARP EDGES .015" MAX.
ALL DIMENSIONS IN INCHES

DWN	CAW	01/30/15
CHK	BEM	4/2/15



TITLE **PANEL ASY, MVEX MOUNTED FLOW**

REV **B** SIZE **B** DWG NO **15-100-02**

FILE **15-100-02** SCALE: 1:4 SHEET **1** OF **1**

PROPRIETARY DATA: THIS DOCUMENT DISCLOSES INFORMATION AND DATA IN WHICH PULSAFEEDER HAS PROPRIETARY RIGHTS. THE RIGHT TO REPRODUCE, USE OR DISCLOSE IN WHOLE OR IN PART EXCEPT BY WRITTEN PERMISSION IS PROHIBITED.