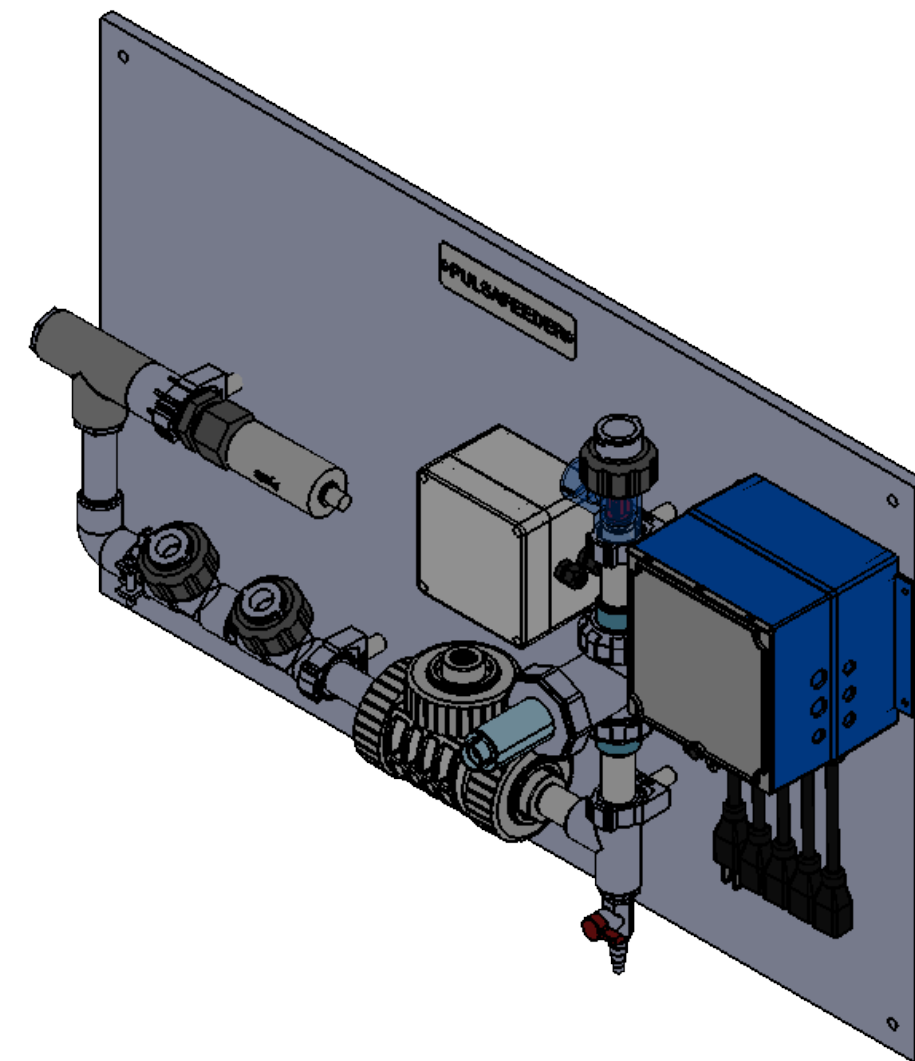
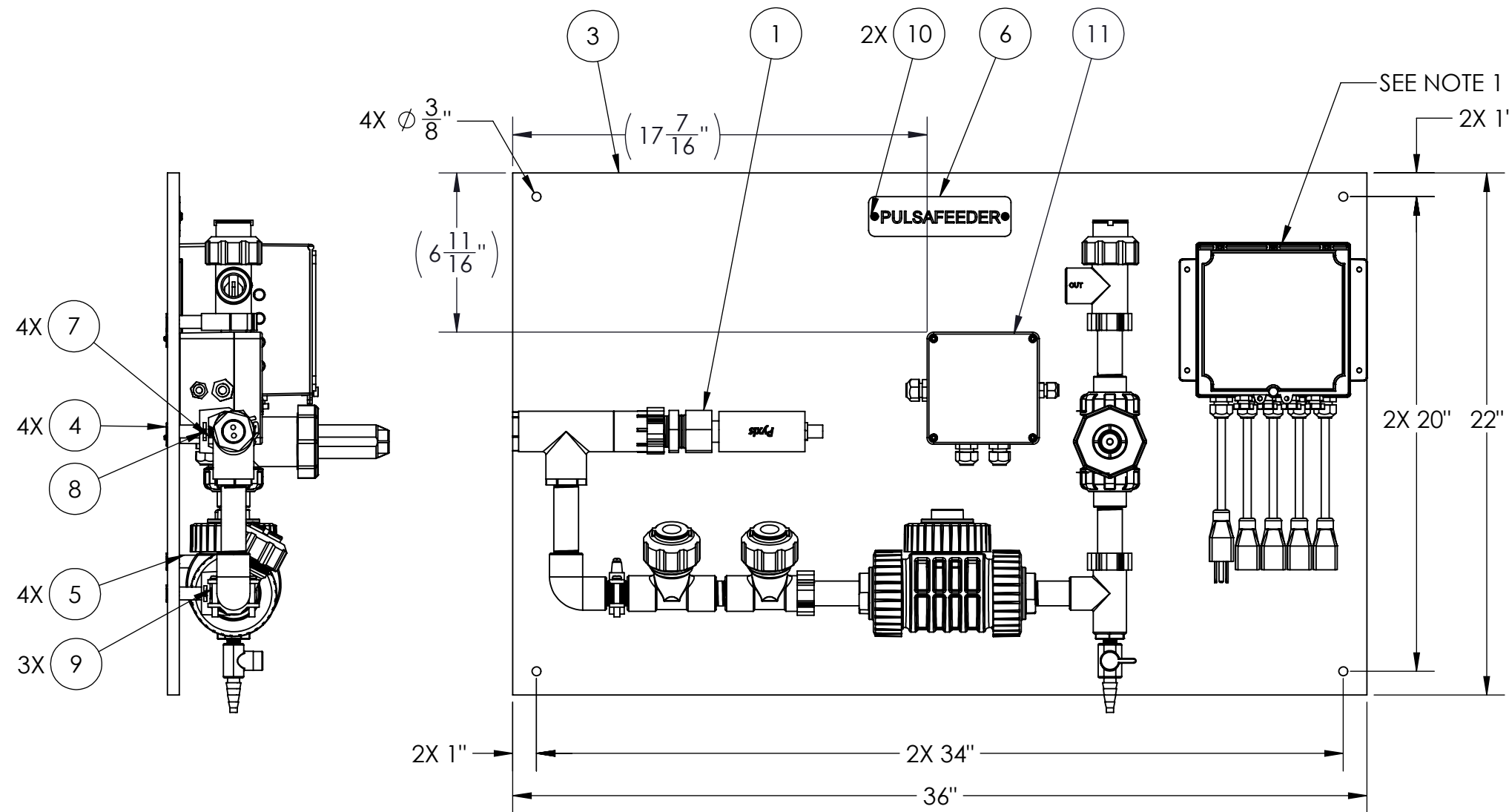


REV.	DESCRIPTION	DATE	MOD	CHK'D
A	INITIAL RELEASE	8/23/2018	WPM	FP



BILL OF MATERIALS			
ITEM NO.	PART NUMBER	DESCRIPTION	QTY.
1	15-200-21	PIPING ASY, PYXIS PTSA + CORR	1
3	02-301-35	PANEL, 22X36, POLYETHYLENE	1
4	06-011-02	TEE NUT, 10-32, .24 BARREL, 3 PRONG	4
5	06-058-00	SPACER (PVC), 10-0, 1" - LG	4
6	J25334	LABEL (LEXAN), LOGO NAMEPLATE	1
7	L9801300-188	WASHER (SST), #10-FLAT	4
8	U0810036	SCR, PAN HD, CR, SST, 10-32 1.75	1
9	U0813501	SCR, PH, SST, 10-32 1.50	3
10	U0900857	SCR (SST), 6-20 X.38 TYPE-BT PHP	2
11	72-901-11	PWR, ASSEM, DUAL 4-20mA	1

NOTES:
 1. MODEL NUMBER FOR CONTROLLER MAY VARY. CHECK WORK ORDER TO VERIFY CORRECT CONTROLLER MODEL.

INTERPRET GEOMETRIC TOLERANCING PER ASME Y14.5M-1994 UNLESS OTHERWISE SPECIFIED		DWN	WPM	08/23/2018	
TOLERANCE	MACHINED SURFACES ROUGHNESS	CHK	FP	08/23/2018	
X.X"	± .050"	UNCONTROLLED WHEN PRINTED-USER IS RESPONSIBLE TO VERIFY REVISION LEVEL OF THIS DOCUMENT PRIOR TO USE.			TITLE
X.XX"	± .015"				PANEL ASY, MVEX, PYX PTSA & CORR
X.XXX"	± .005"				REV A SIZE B DWG NO
ANGLES	± 0°30'				15-100-21
BREAK ALL SHARP EDGES .015" MAX. ALL DIMENSIONS IN INCHES		PROPRIETARY DATA: THIS DOCUMENT DISCLOSES INFORMATION AND DATA IN WHICH PULSAFEEDER HAS PROPRIETARY RIGHTS. THE RIGHT TO REPRODUCE, USE OR DISCLOSE IN WHOLE OR IN PART EXCEPT BY WRITTEN PERMISSION IS PROHIBITED.			FILE
		15-100-21		SCALE: 1:6	SHEET 1 OF 1