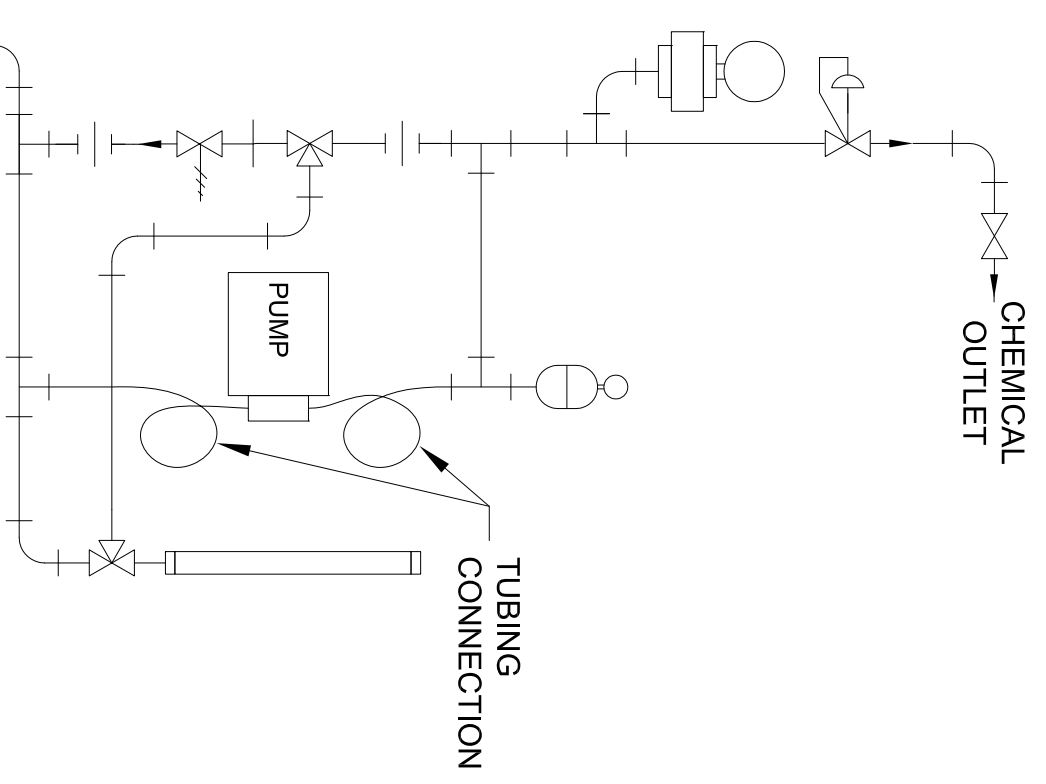
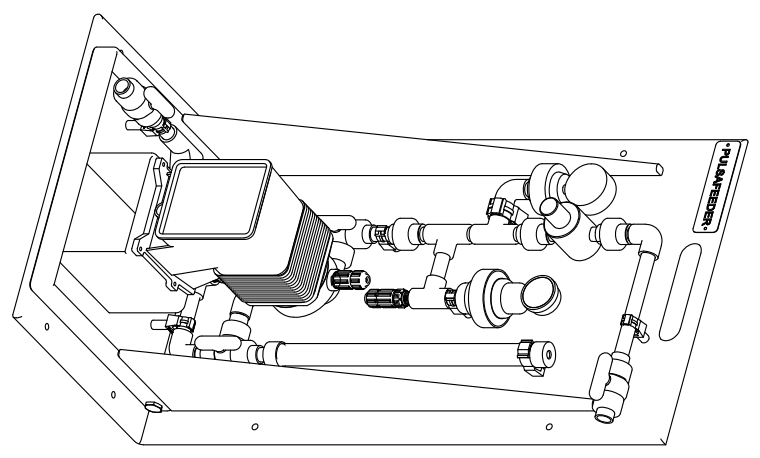
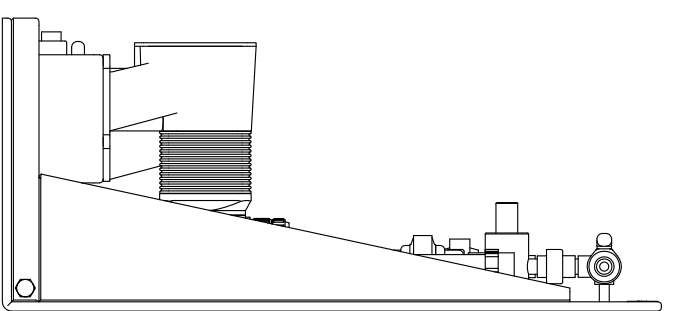
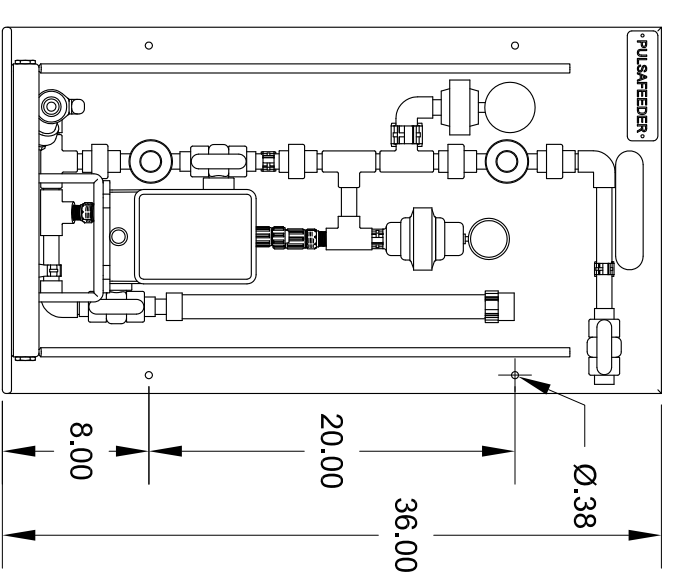
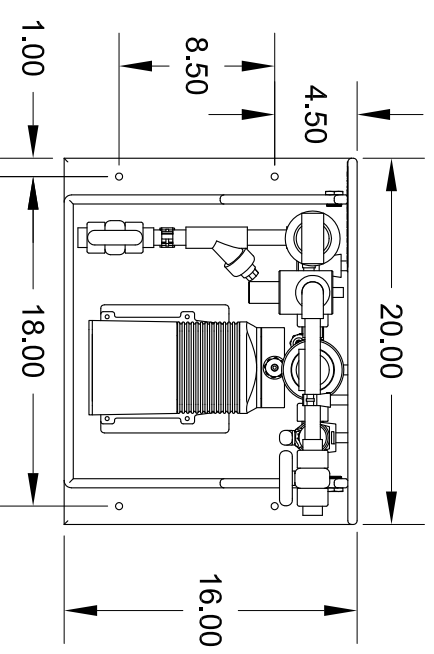


|         |                      |         |         |
|---------|----------------------|---------|---------|
| DWG NO. | PES1SCF-DPID         | SHEET   | 1 OF 1  |
| REV     | REVISION DESCRIPTION | APPROVD | DATE    |
| A       | RELEASE              | JPH     | 9/26/11 |



|  |                             |
|--|-----------------------------|
|  | METERING PUMP               |
|  | TRUE UNION 3 WAY BALL VALVE |
|  | PULSATION DAMPENER          |
|  | PRESSURE GAUGE W/ ISOLATOR  |
|  | TRUE UNION BALL VALVE       |
|  | BACK PRESSURE VALVE         |
|  | PRESSURE RELIEF VALVE       |
|  | Y-STRAINER                  |
|  | UNION                       |
|  | CALIBRATION COLUMN          |

|  |              |                                       |     |         |
|--|--------------|---------------------------------------|-----|---------|
| INTERPRET GEOMETRIC TOLERANCING PER ASME Y14.5M-1994 UNLESS OTHERWISE SPECIFIED. |              | DRW                                   | PEC | 9/26/11 |
| TOLERANCE  | ±.050"       | CHK                                   | JPH | 9/26/11 |
| XXX  | ±.015"       | APP                                   | JPH | 9/26/11 |
| XXX  | ±.005"       | MACHINED SURFACES ROUGHNESS 125       |     |         |
| XXX  | ±0°30'(±.5°) | BREAK ALL SHARP EDGES .015" MAX.      |     |         |
| ANGLES   |              |                                       |     |         |
| ALL DIMENSIONS IN INCHES.  |              |                                       |     |         |
| <b>PULSAFEEDER</b><br>27101 Airport Road<br>Punta Gorda, Florida, 33982          |              | TITLE<br><b>PES1SCF</b><br><b>PID</b> |     |         |
| REV  | SIZE         | PART NO.                              |     |         |
| A  | B            | PES1SCF-DPIP                          |     |         |
| FILE   | SCALE        | SHEET                                 |     |         |
| PES1SCF-DPID.DWG   | NTS          | SHEET 1 OF 1                          |     |         |

PROPRIETARY DATA: THIS DOCUMENT DISCLOSES INFORMATION AND DATA IN WHICH PULSAFEEDER HAS PROPRIETARY RIGHTS. THE RIGHT TO REPRODUCE, USE OR DISCLOSE IN WHOLE OR IN PART EXCEPT BY WRITTEN PERMISSION IS PROHIBITED.