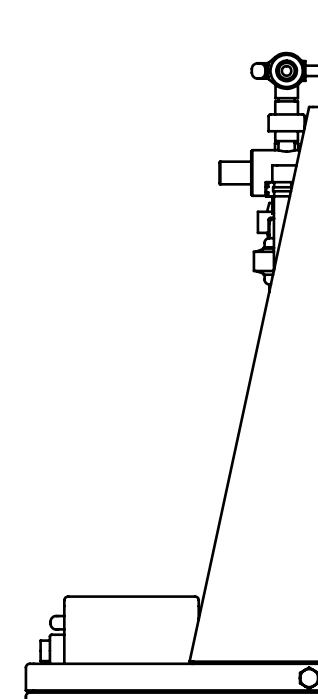
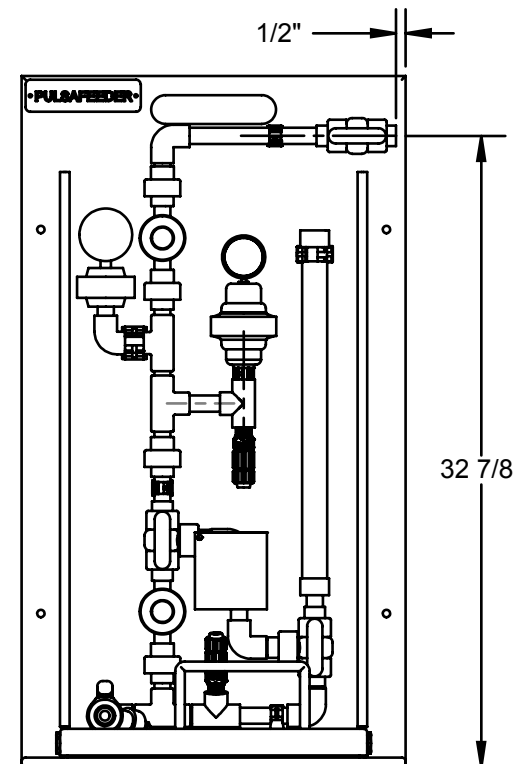
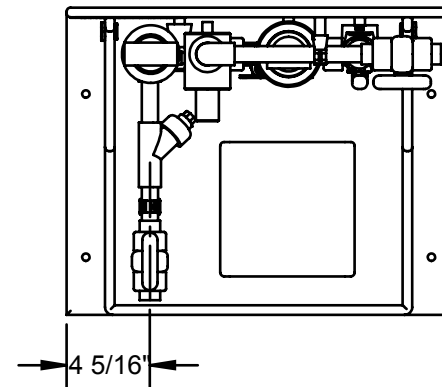


REVISIONS			
REV.	DESCRIPTION	DATE	APPROVED
A	RELEASE ECO 00203	10-16-08	MD
B	ADD LONGER SCREW FOR NEW SPACERS. ECO 00334	01/08/10	JH



BILL OF MATERIAL

ITEM NO.	PART NUMBER	DESCRIPTION	QTY.
1	PES00018CF-002	PIPING ASSEMBLY, COLUMN FILL (EPDM)	1
2	PES00000	SKID BASE WELDMENT, SIMPLEX/STANDARD	1
3	03-043-00	PLUG, PVC-80, 1/2" T	2
4	PES00032	CARD, COLUMN FILL, LAMINATED	1
5	J25334	PULSAFEEDER NAME PLATE	1
6	U0810036	#10-32 X 1.7" SCREW	6
7	L9801300-188	#10 FLAT WASHER	6
8	06-011-02	#10-32 TEE NUT	6
9	U0810386	#10-32 X 1" SCREW	2
10	L9804000-000	#10-32 LOCK NUT	4
11	J42310	CABLE TIE	1
12	U0900857	SCR(SST),6-20 X.38 TYPE-BT PHP	2
13	L9803300-188	SCREW(SST), #10-32 X 2.0 PHP	2

PROPRIETARY AND CONFIDENTIAL
 THE INFORMATION CONTAINED IN
 THIS DRAWING IS THE SOLE
 PROPERTY OF
 PULSAFEEDER SPO. ANY
 REPRODUCTION IN PART OR AS A
 WHOLE WITHOUT THE WRITTEN
 PERMISSION OF PULSAFEEDER
 IS PROHIBITED.

UNLESS OTHERWISE SPECIFIED:

DIMENSIONS ARE IN INCHES
 TOLERANCES:
 FRACTIONAL ±1/64
 ANGULAR: ± 1/2°
 X.X=.050in.
 X.XX=.015in.
 X.XXX=.005in.

INTERPRET GEOMETRIC
 TOLERANCING PER:
 ASME Y14.5M-1994

MATERIAL (SEE NOTES)

FINISH (SEE NOTES)

DO NOT SCALE DRAWING

	NAME	DATE
DRAWN	PEC	10-16-08
ENG APPR.	MD	10-16-08

COMMENTS:



TITLE:
**SKID ASSEMBLY,
 SIMPLEX STANDARD,
 COL FILL, (EPDM SEALS)**

SIZE	DWG. NO.	REV
B	PES1S-ECF	B

SCALE: 1:1 SHEET 1 OF 1