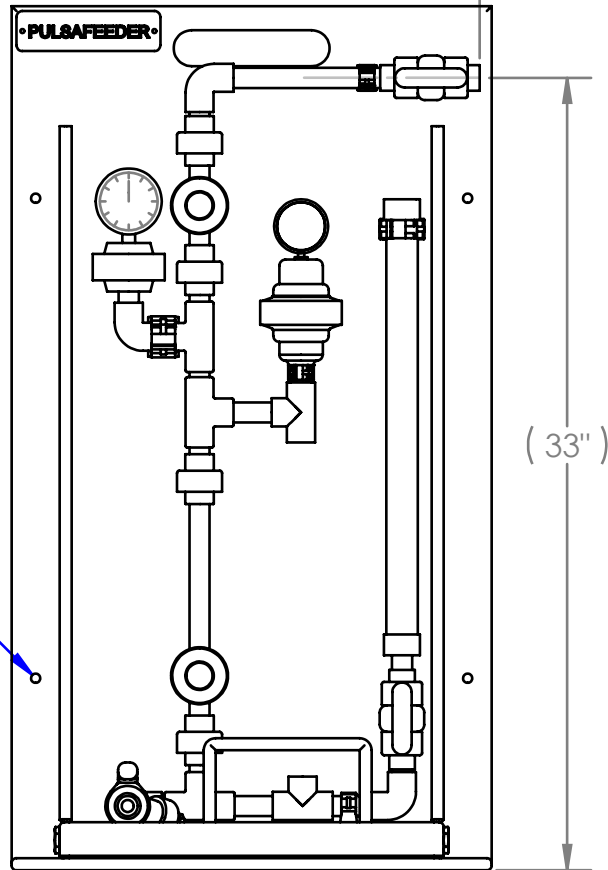
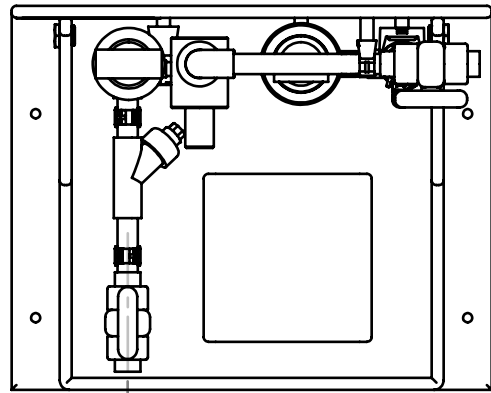
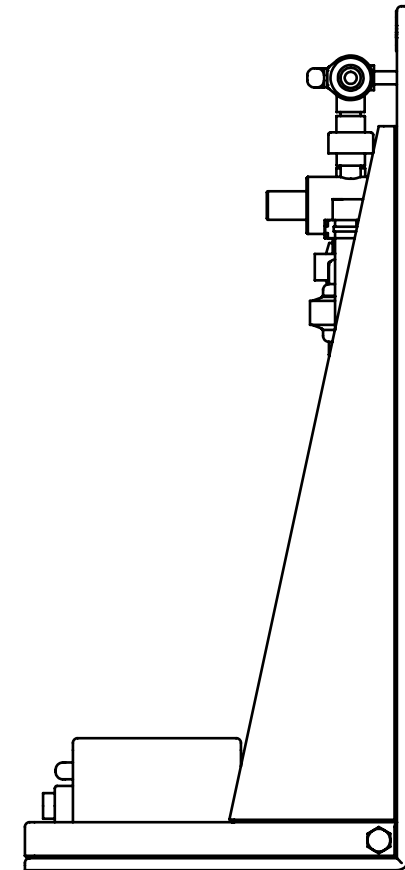


(4 13/16") 1/2"



Ø3/8"
TYP

REVISIONS			
REV.	DESCRIPTION	DATE	APPROVED
A	RELEASE ECO 00091	01-10-08	MD
B	DESIGN OPTIMIZATION ECO 00203	10-14-08	MD
C	ADD LONGER SCREW FOR NEW SPACERS. ECO 00334	01/08/10	JH



ITEM NO.	PART NUMBER	DESCRIPTION	QTY.
1	PES00018-001	PIPING ASSEMBLY, SIMPLEX/DUPLEX RT - STANDARD (VITON SEALS)	1
2	PES00000	SKID BASE WELDMNT, SIMPLEX/STANDARD	1
3	03-043-00	PLUG, PVC-80, 1/2" T	2
4	J25334	PULSAFEEDER NAME PLATE	1
5	U0810386	#10-32 X 1" LNG SCREW	4
6	L9804000-000		4
7	U0900857	SCREW, (SST), 6-20 X .38 TYPE-BT PHP	2
8	06-011-02		6
9	U0810036	#10-32 X 1.7" SCREW	3
10	L9801300-188		6
11	L9803300-188	SCREW(SST), #10-32 X 2.0 PHP	3

PROPRIETARY AND CONFIDENTIAL
THE INFORMATION CONTAINED IN
THIS DRAWING IS THE SOLE
PROPERTY OF
PULSAFEEDER SPO. ANY
REPRODUCTION IN PART OR AS A
WHOLE WITHOUT THE WRITTEN
PERMISSION OF PULSAFEEDER
IS PROHIBITED.

UNLESS OTHERWISE SPECIFIED:

DIMENSIONS ARE IN INCHES
TOLERANCES:
FRACTIONAL ±1/64
ANGULAR: ± 1/2°
X.X=.050in.
X.XX=.015in.
X.XXX=.005in.

INTERPRET GEOMETRIC
TOLERANCING PER:
ASME Y14.5M-1994

MATERIAL
(SEE NOTES)

FINISH
(SEE NOTES)

DO NOT SCALE DRAWING

	NAME	DATE
DRAWN	PEC	12-17-07
ENG APPR.	MD	01-10-08

COMMENTS:



TITLE:
**SKID ASSEMBLY,
SIMPLEX/STANDARD
(VITON SEALS)**

SIZE	DWG. NO.	REV
B	PES1S-V	C

SCALE: 1:1

SHEET 1 OF 1