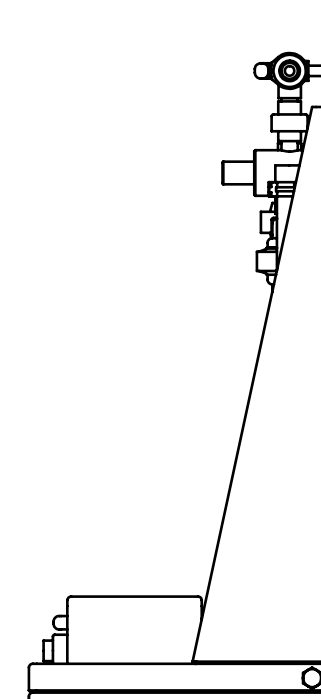
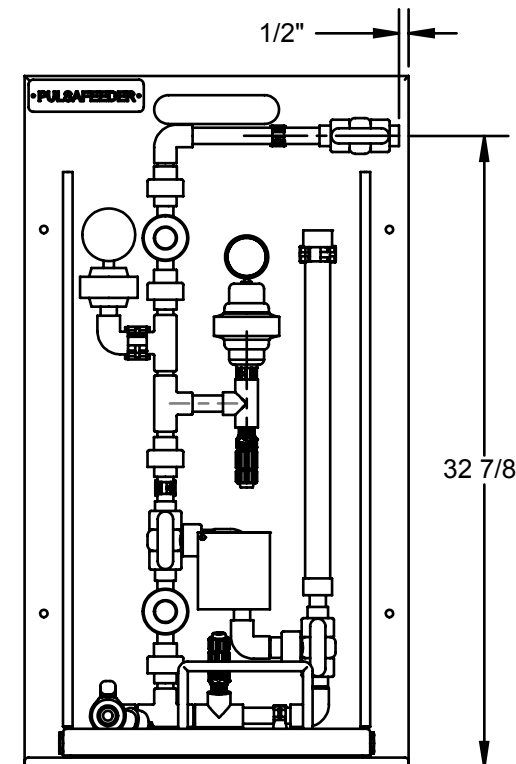
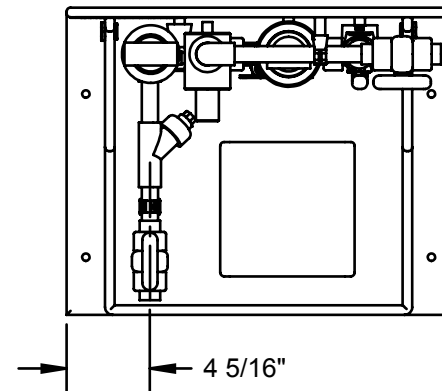


REVISIONS			
REV.	DESCRIPTION	DATE	APPROVED
A	RELEASE ECO 00203	10-16-08	MD
B	ADD LONGER SCREW FOR NEW SPACERS. ECO 00334	01/08/10	JH



BILL OF MATERIAL

ITEM NO.	PART NUMBER	DESCRIPTION	QTY.
1	PES00018CF-001	PIPING ASSEMBLY, RT, COLUMN FILL (VITON)	1
2	PES00000	SKID BASE WELDMENT, SIMPLEX/STANDARD	1
3	03-043-00	PLUG, PVC-80, 1/2" T	2
4	PES00032	CARD, COLUMN FILL, LAMINATED	1
5	J25334	PULSAFEEDER NAME PLATE	1
6	U0810036	#10-32 X 1.7" SCREW	6
7	L9801300-188	#10 FLAT WASHER	6
8	06-011-02	#10-32 TEE NUT	6
9	U0810386	#10-32 X 1" SCREW	2
10	L9804000-000	#10-32 LOCK NUT	4
11	J42310	CABLE TIE	1
12	U0900857	SCR(SST),6-20 X.38 TYPE-BT PHP	2
13	L9803300-188	SCREW(SST), #10-32 X 2.0 PHP	2

UNLESS OTHERWISE SPECIFIED:

DIMENSIONS ARE IN INCHES
 TOLERANCES:
 FRACTIONAL ±1/64
 ANGULAR: ± 1/2°
 X.X=.050in.
 X.XX=.015in.
 X.XXX=.005in.

INTERPRET GEOMETRIC TOLERANCING PER: ASME Y14.5M-1994

MATERIAL (SEE NOTES)

FINISH (SEE NOTES)

DO NOT SCALE DRAWING

PROPRIETARY AND CONFIDENTIAL
 THE INFORMATION CONTAINED IN THIS DRAWING IS THE SOLE PROPERTY OF PULSAFEEDER SPO. ANY REPRODUCTION IN PART OR AS A WHOLE WITHOUT THE WRITTEN PERMISSION OF PULSAFEEDER IS PROHIBITED.

	NAME	DATE
DRAWN	PEC	10-16-08
ENG APPR.	MD	10-16-08

COMMENTS:



TITLE:
SKID ASSEMBLY, SIMPLEX STANDARD, COL FILL, (VITON SEALS)

SIZE	DWG. NO.	REV
B	PES1S-VCF	B

SCALE: 1:1 SHEET 1 OF 1