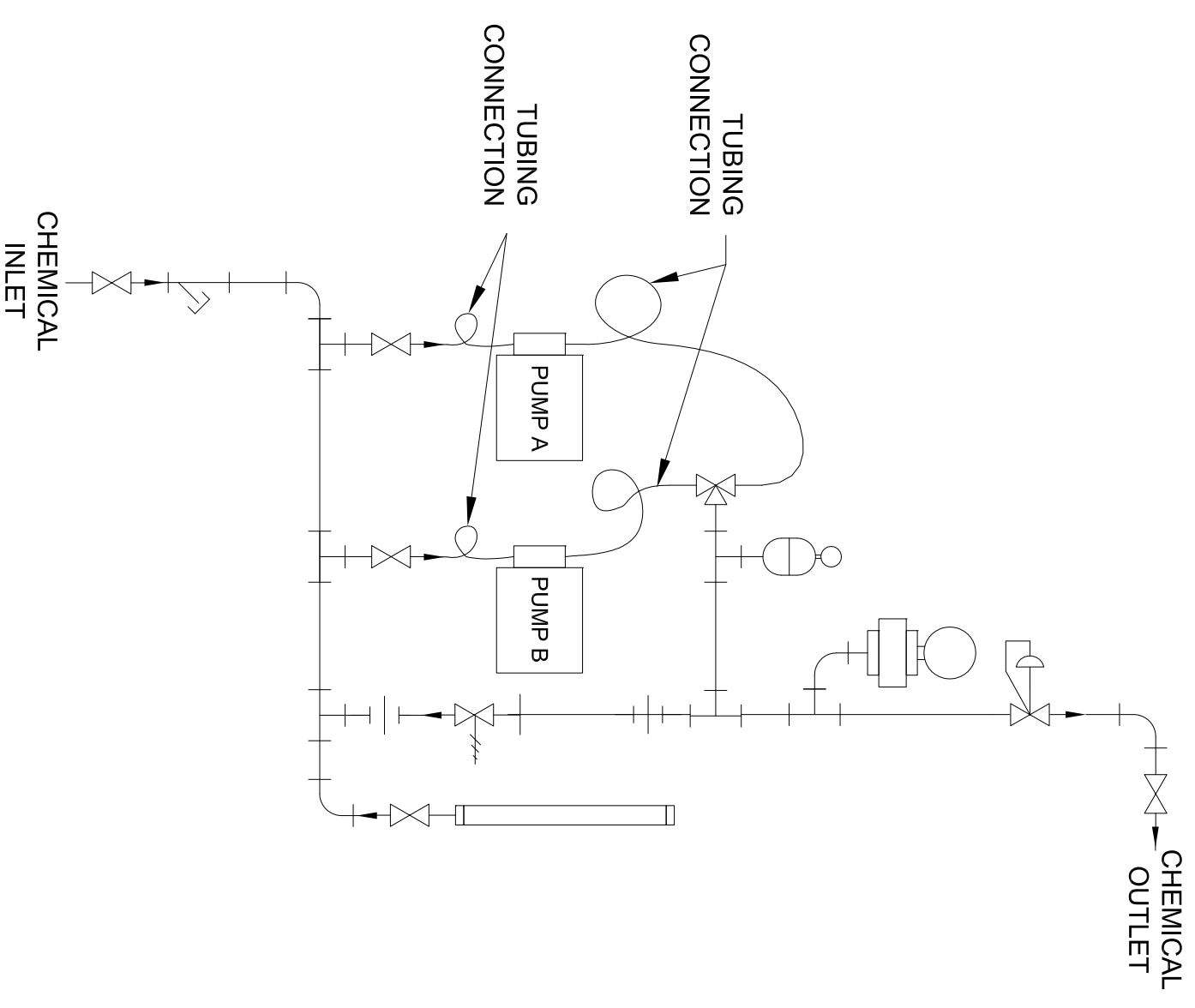
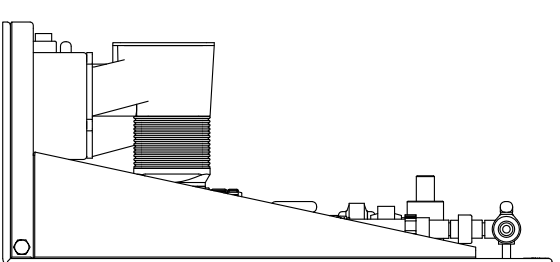
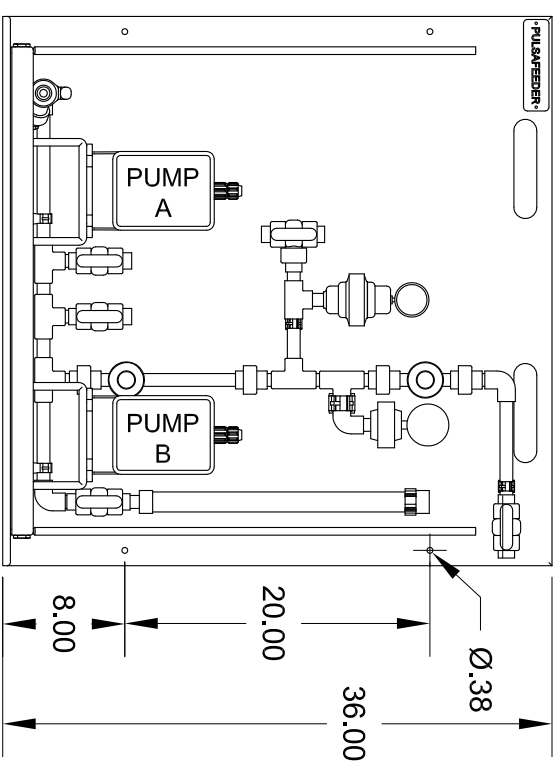
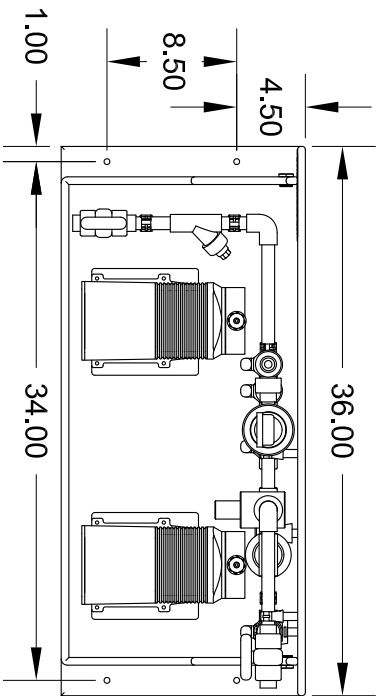


DWG NO.	PES2L-PID	SHEET	1 OF 1
REV	REVISION DESCRIPTION	APPROVD	DATE
A	RELEASE	JPH	8/26/11



	METERING PUMP
	PULSATION DAMPENER
	PRESSURE GAUGE W/ ISOLATOR
	TRUE UNION BALL VALVE
	TRUE UNION 3 WAY BALL VALVE
	BACK PRESSURE VALVE
	PRESSURE RELIEF VALVE
	Y-STRAINER
	UNION
	CALIBRATION COLUMN

INTERPRET GEOMETRIC TOLERANCING PER ASME Y14.5M-1994		DRW	PEC	8/26/11	 PULSAFEEDER 27101 Airport Road Punta Gorda, Florida, 33982
UNLESS OTHERWISE SPECIFIED.		CHK	JPH	8/26/11	
TOLERANCE	±.050"	APP	JPH	8/26/11	
MACHINED SURFACES	±.015"				
ROUGHNESS	±.005"				
ANGLES	±0°30' (±.5°)				
BREAK ALL SHARP EDGES .015" MAX.					
ALL DIMENSIONS IN INCHES.					
PROPRIETARY DATA: THIS DOCUMENT DISCLOSES INFORMATION AND DATA IN WHICH PULSAFEEDER HAS PROPRIETARY RIGHTS. THE RIGHT TO REPRODUCE, USE OR DISCLOSE IN WHOLE OR IN PART EXCEPT BY WRITTEN PERMISSION IS PROHIBITED.					
REV	SIZE	PART NO.			
A	B	PES2L-PID			
FILE	SCALE	SHEET			
PES2L-PID.DWG	NTS	1 OF 1			