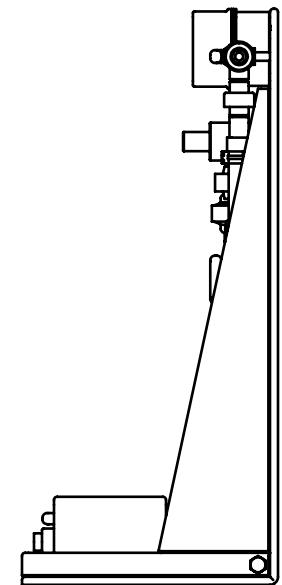
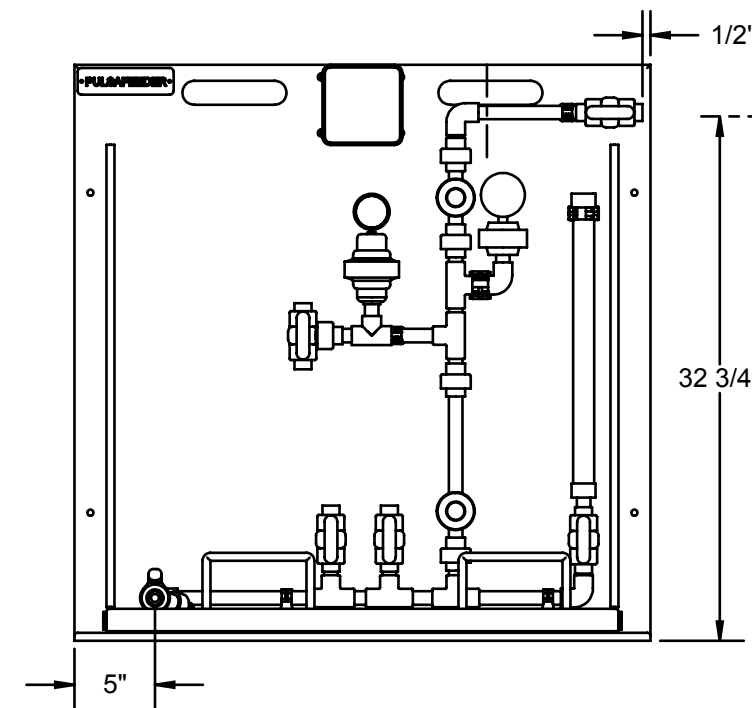
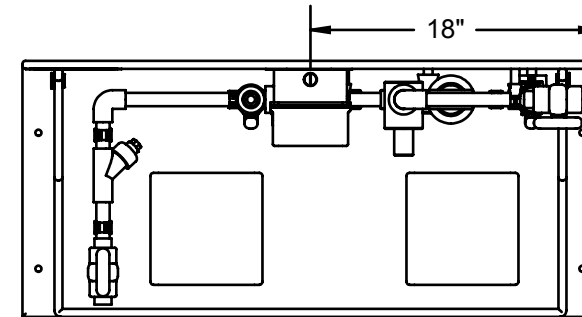


REVISIONS			
REV.	DESCRIPTION	DATE	APPROVED
A	RELEASED	12-09-09	JH
B	ADD LONGER SCREWS FOR NEW SPACERS ECO 00334	01/08/10	JH



BILL OF MATERIALS

ITEM NO.	PART NUMBER	DESCRIPTION	Default /QTY.
1	PES00013	SKID BASE WELDMENT, (STANDARD/DUPLEX)	1
2	PES00018-001	PIPING ASSEMBLY, SIMPLEX/DUPLEX RT - STANDARD (VITON SEALS) LEAD STANDBY	1
3	03-043-00	PLUG, PVC-80, 1/2" T	2
4	J25334	PULSAFEEDER NAME PLATE	1
5	06-011-02	#10-32 TEE NUT	12
6	U0810036	SCREW #10-32 X 1.7" LNG	4
7	L9801300-188	#10 FLAT WASHER	8
8	U0810386	SCREW, #10-32 X 1" LNG	8
9	L9804000-000	#10-32 LOCK NUT	8
10	U0900857	SCREW, (SST) #6-20 X .38" LNG, TYPE-BT PHP	2
11	11-060-00	BOX, DUAL OUTLET .5NPT WEATHER	1
12	11-060-01	COVER (CLEAR), 2-GANG WEATHERPROOF	1
13	11-060-06	BRACKET, OUTLET BOX MOUNTING	2
14	U0813557	SCR(SST), #10-32 X .5-LG. PHP	4
15	11-020-00	RECEPTACLE, DUPLEX	2
16	L9803300-188	SCREW(SST), #10-32 X 2.0 PHP	4

UNLESS OTHERWISE SPECIFIED: DIMENSIONS ARE IN INCHES TOLERANCES: FRACTIONAL: ±1/64 ANGULAR: ± 1/2° X.X = .050in. X.XX = .015in. X.XXX = .005in.	NAME	DATE		
	DRAWN	PEC		12-09-09
	CHECKED BY	JH		12-09-09
	ENG APPR.	JH		12-09-09
INTERPRET GEOMETRIC TOLERANCING PER: ASME Y14.5M-1994	COMMENTS:		TITLE: PRE-ENGINEERED SKID SYSTEM, LEAD STANDBY, VITON SEALS, RECEPT BOX	
MATERIAL (SEE NOTES)	SIZE	DWG. NO.	REV	
FINISH (SEE NOTES)	B	PES2L-V-R	B	
DO NOT SCALE DRAWING	SCALE: 1:12 SHEET 1 OF 1			

PROPRIETARY AND CONFIDENTIAL
 THE INFORMATION CONTAINED IN THIS DRAWING IS THE SOLE PROPERTY OF PULSAFEEDER SPO. ANY REPRODUCTION IN PART OR AS A WHOLE WITHOUT THE WRITTEN PERMISSION OF PULSAFEEDER IS PROHIBITED.