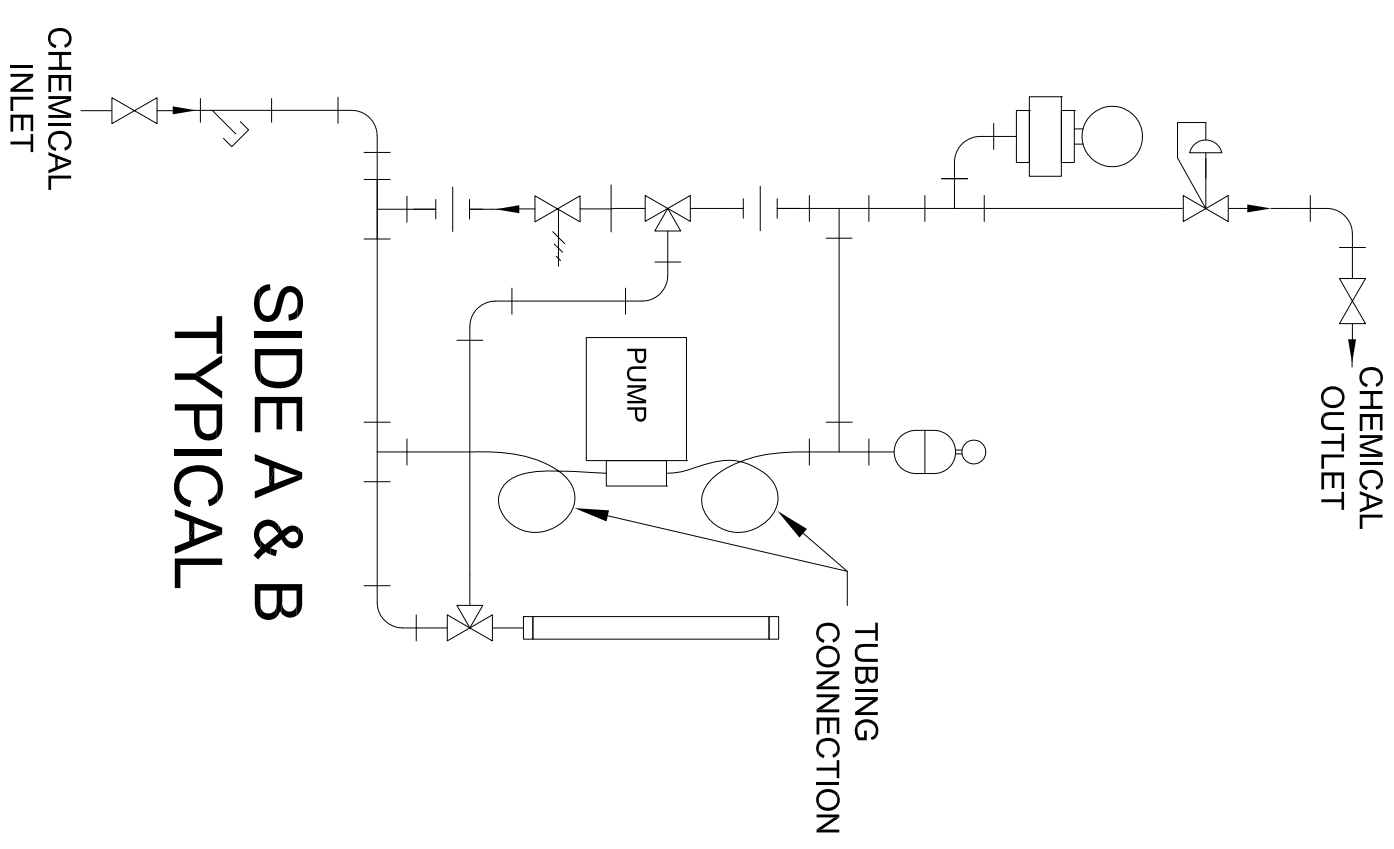
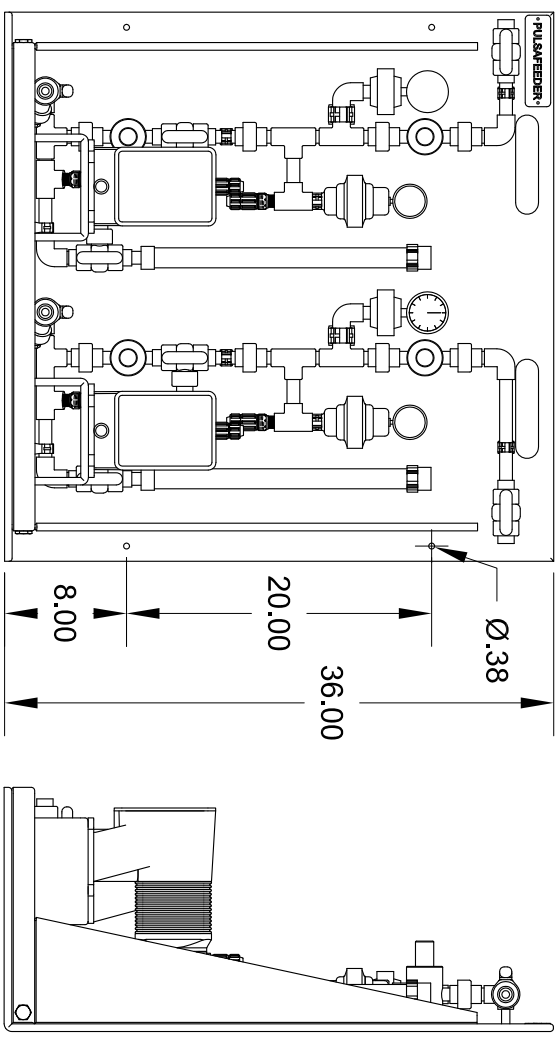
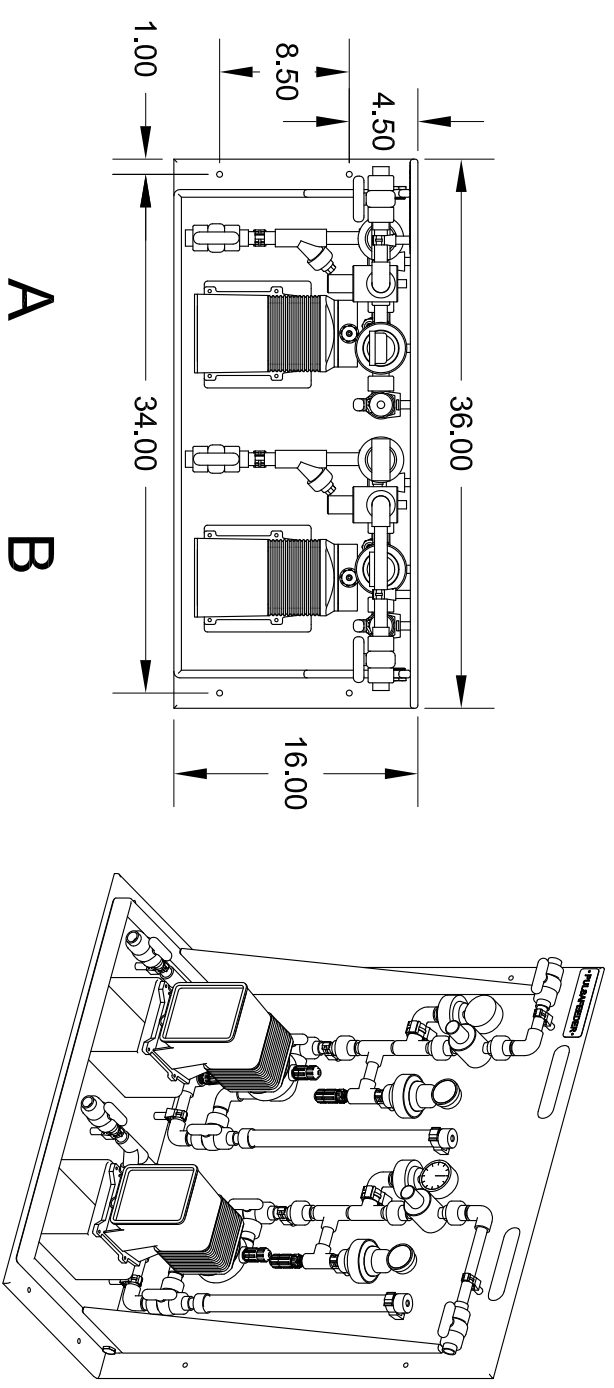


DWG NO.	PES2SCF-DPID	SHEET	1 OF 1
REV	REVISION DESCRIPTION	APPROVD	DATE
A	RELEASE	JPH	9/26/11



	METERING PUMP
	TRUE UNION 3 WAY BALL VALVE
	PULSATION DAMPENER
	PRESSURE GAUGE W/ ISOLATOR
	TRUE UNION BALL VALVE
	BACK PRESSURE VALVE
	PRESSURE RELIEF VALVE
	Y-STRAINER
	UNION
	CALIBRATION COLUMN

INTERPRET GEOMETRIC TOLERANCING PER ASME Y14.5M-1994 UNLESS OTHERWISE SPECIFIED.		DRW	PEC	9/26/11
TOLERANCE	±.050"	CHK	JPH	9/26/11
XXX SURFACES	±.015"	APP	JPH	9/26/11
XXX ROUGHNESS	±.005"			
XXX ANGLES	±0°30' (±.5°)			
BREAK ALL SHARP EDGES .015" MAX. ALL DIMENSIONS IN INCHES.				
MACHINED SURFACES ROUGHNESS 125				
 27101 Airport Road Punta Gorda, Florida, 33982				
TITLE		PES1SCF PID		
REV	SIZE	PART NO.		
A	B	PES2SCF-PID		
FILE	SCALE	SHEET	1 OF 1	
PES2SCF-PID.DWG	NTS			

PROPRIETARY DATA: THIS DOCUMENT DISCLOSES INFORMATION AND DATA IN WHICH PULSAFEEDER HAS PROPRIETARY RIGHTS. THE RIGHT TO REPRODUCE, USE OR DISCLOSE IN WHOLE OR IN PART EXCEPT BY WRITTEN PERMISSION IS PROHIBITED.