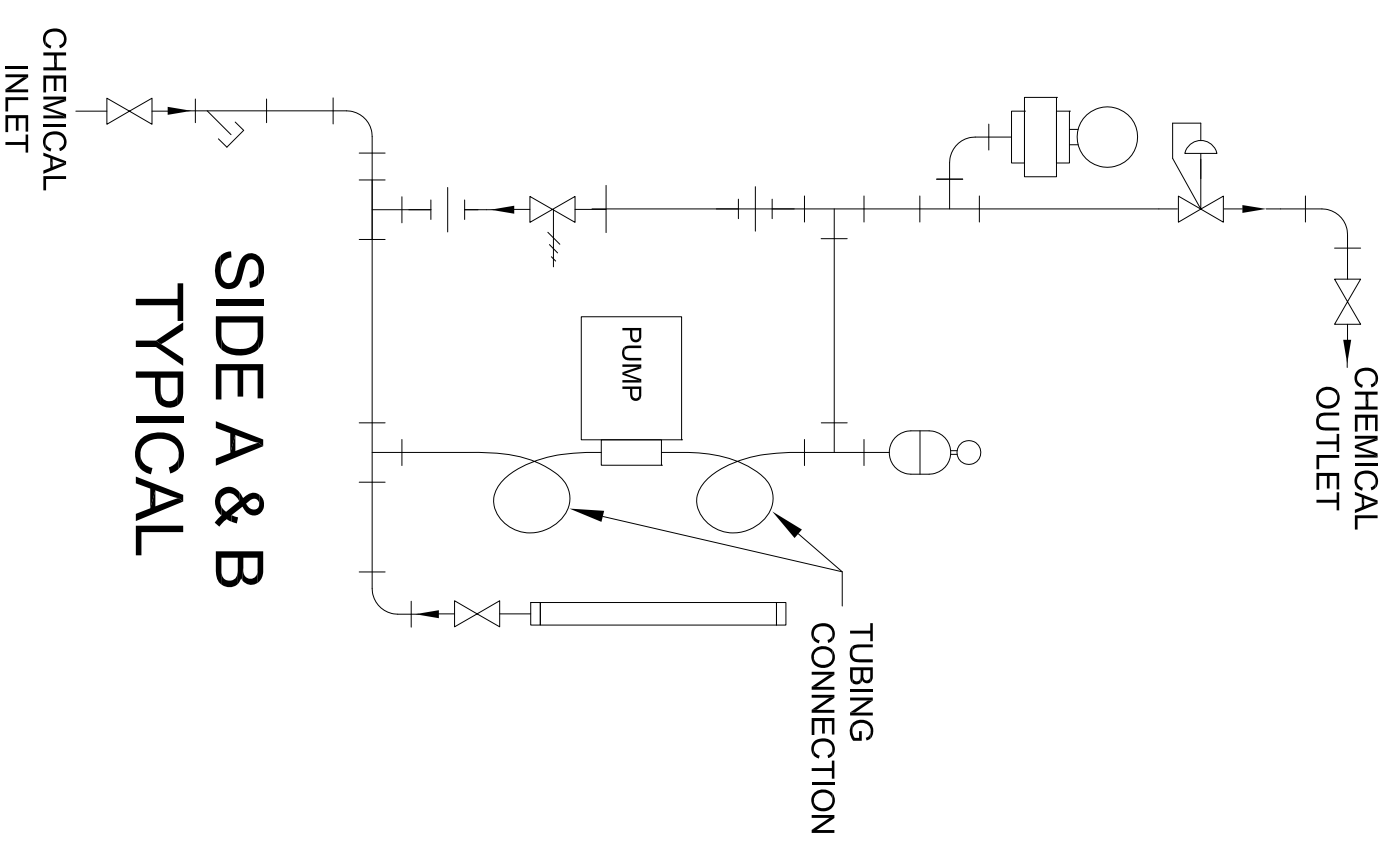
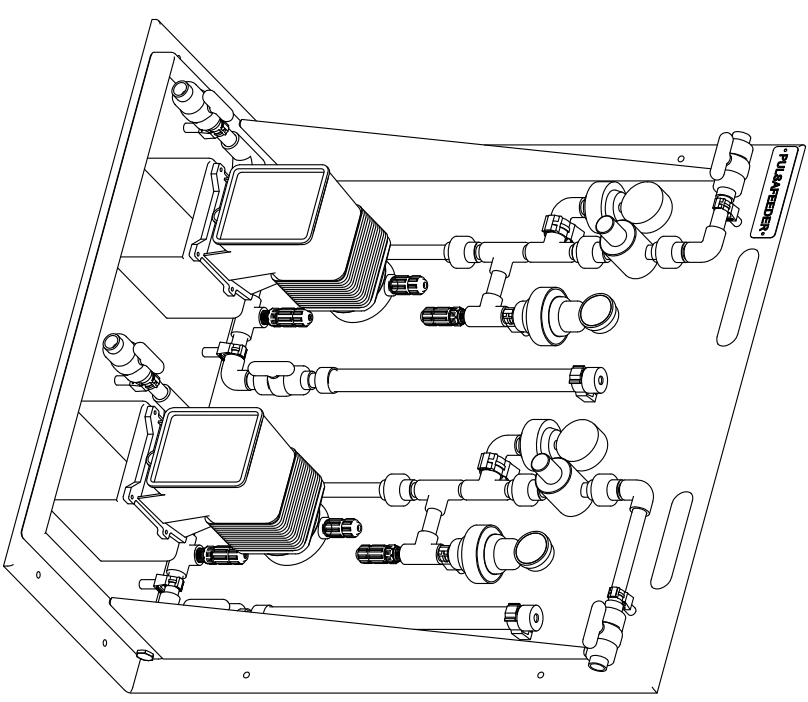
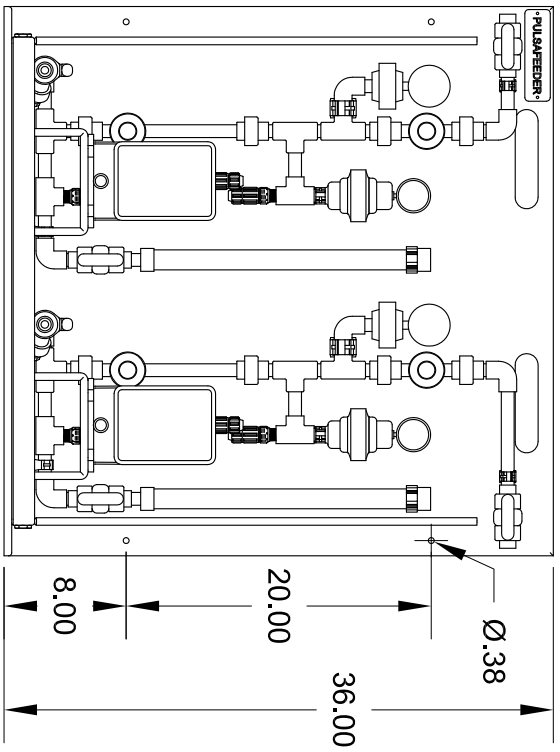
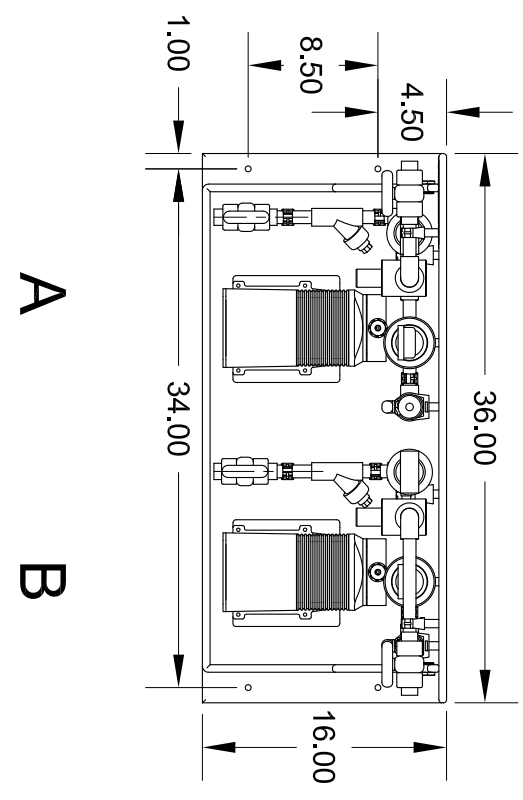


|         |                      |         |         |
|---------|----------------------|---------|---------|
| DWG NO. | PES2S-PID            | SHEET   | 1 OF 1  |
| REV     | REVISION DESCRIPTION | APPROVD | DATE    |
| A       | RELEASE              | JPH     | 9/26/11 |



**SIDE A & B  
TYPICAL**

|  |                            |
|--|----------------------------|
|  | METERING PUMP              |
|  | PULSATION DAMPENER         |
|  | PRESSURE GAUGE W/ ISOLATOR |
|  | TRUE UNION BALL VALVE      |
|  | BACK PRESSURE VALVE        |
|  | PRESSURE RELIEF VALVE      |
|  | Y-STRAINER                 |
|  | UNION                      |
|  | CALIBRATION COLUMN         |

|  |               |           |     |         |
|--|---------------|-----------|-----|---------|
| INTERPRET GEOMETRIC TOLERANCING PER ASME Y14.5M-1994 UNLESS OTHERWISE SPECIFIED.                   |               | DRW       | PEC | 9/26/11 |
| TOLERANCE  | ±.050"        | CHK       | JPH | 9/26/11 |
| SURFACES   | ±.015"        | APP       | JPH | 9/26/11 |
| ROUGHNESS  | ±.005"        |           |     |         |
| ANGLES   | ±0°30' (±.5°) |           |     |         |
| BREAK ALL SHARP EDGES .015" MAX.   |               |           |     |         |
| ALL DIMENSIONS IN INCHES.  |               |           |     |         |
| MACHINED SURFACES ROUGHNESS 125  |               |           |     |         |
| <p><b>PULSAFEEDER</b><br/>         27101 Airport Road<br/>         Punta Gorda, Florida, 33982</p> |               |           |     |         |
| REV  | SIZE          | PART NO.  |     |         |
| A  | B             | PES2S-PIP |     |         |
| FILE   | SCALE         | SHEET     |     |         |
| PES2S-PIID.DWG   | NTS           | 1 OF 1    |     |         |

PROPRIETARY DATA: THIS DOCUMENT DISCLOSES INFORMATION AND DATA IN WHICH PULSAFEEDER HAS PROPRIETARY RIGHTS. THE RIGHT TO REPRODUCE, USE OR DISCLOSE IN WHOLE OR IN PART EXCEPT BY WRITTEN PERMISSION IS PROHIBITED.