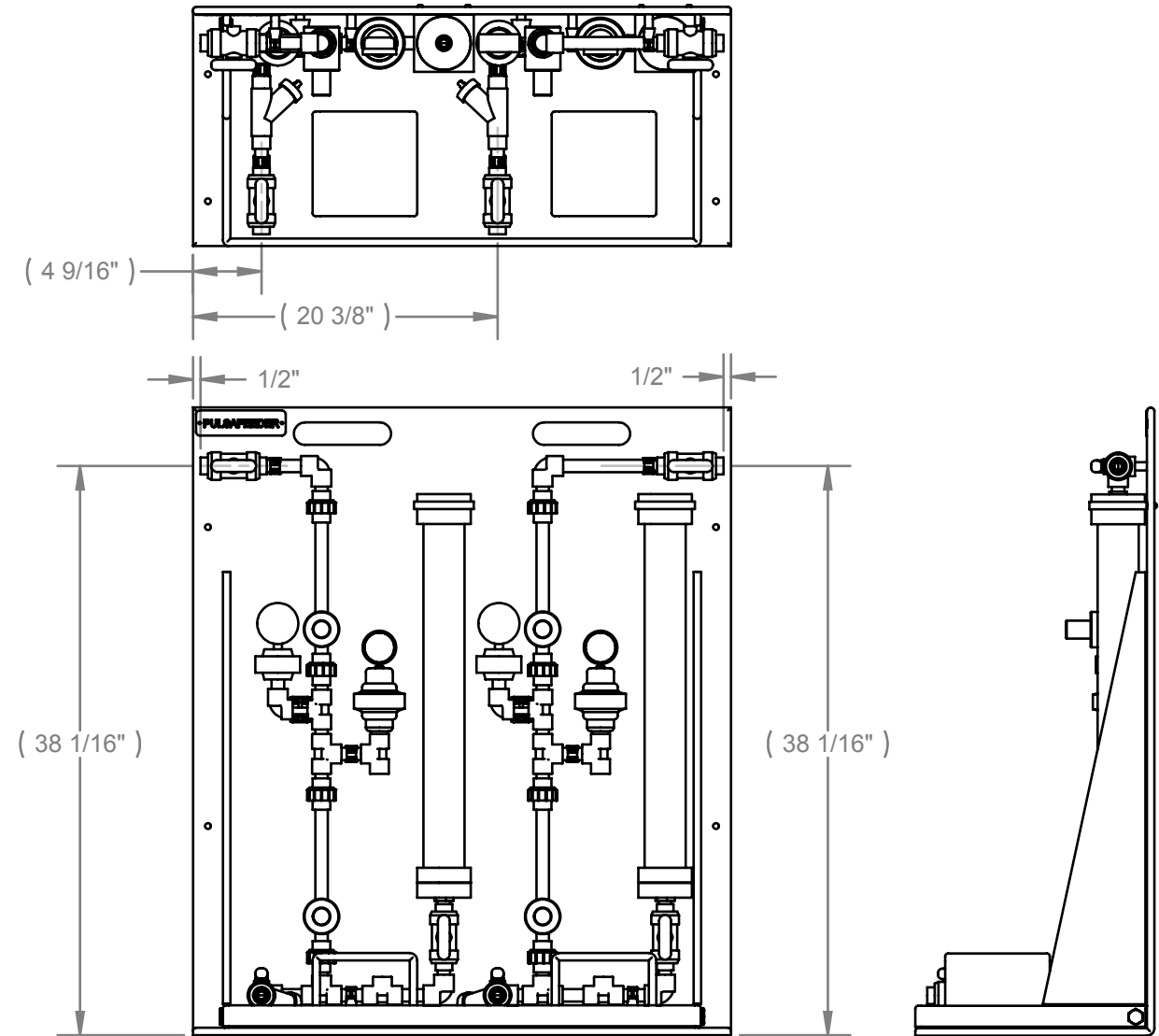


REVISIONS			
REV.	DESCRIPTION	DATE	APPROVED
A	RELEASE	04-30-09	MB
B	CHG CONFIG TO ACCOMODATE CAL. COL. ECO 00271	05-26-09	MB
C	ADD LONGER SCREWS FOR NEW SPACERS ECO 00334	01/08/10	JH



BILL OF MATERIAL

ITEM NO.	PART NUMBER	DESCRIPTION	QTY.
1	PES00013-001	SKID BASE WELDMENT, (STANDARD/DUPLEX)	1
2	PES00019-005	PIPING ASSEMBLY, DUPLEX LT - STANDARD (PVDF)(VITON SEALS) HI FLOW	1
3	PES00018-005	PIPING ASSEMBLY, SIMP/DUP RT - STANDARD (PVDF) (VITON SEALS) HI FLOW	1
4	03-043-00	PLUG, PVC-80, 1/2" T	2
5	J25334	PULSAFEEDER NAME PLATE	1
6	06-011-02	#10-32 TEE NUT	14
7	U0810036	SCREW #10-32 X 1.7"	8
8	L9801300-188	#10 FLAT WASHER	14
9	U0810386	SCREW, #10-32 X 1"	8
10	L9804000-000	#10-32 LOCK NUT	8
11	U0900857	SCREW, (SST) 6-20 X .38 TYPE-BT PHP	2
12	PES00038	HOLDER, CALIBRATION COLUMN	2
13	06-008-26-E	SCR(SST),#8X1.0-LG TYPE-BT PHP	4
14	L9803300-188	SCREW(SST), #10-32 X 2.0 PHP	6

PROPRIETARY AND CONFIDENTIAL
THE INFORMATION CONTAINED IN
THIS DRAWING IS THE SOLE
PROPERTY OF
PULSAFEEDER SPO. ANY
REPRODUCTION IN PART OR AS A
WHOLE WITHOUT THE WRITTEN
PERMISSION OF PULSAFEEDER
IS PROHIBITED.

UNLESS OTHERWISE SPECIFIED:

DIMENSIONS ARE IN INCHES
TOLERANCES:
FRACTIONAL ±1/64
ANGULAR: ± 1/2°
X.X=.050in.
X.XX=.015in.
X.XXX=.005in.

INTERPRET GEOMETRIC
TOLERANCING PER:
ASME Y14.5M-1994

MATERIAL (SEE NOTES)

FINISH (SEE NOTES)

DO NOT SCALE DRAWING

	NAME	DATE
DRAWN	PEC	04-30-09
ENG APPR.	MB	04-30-09
CHECKED:	MB	04-30-09

COMMENTS:



TITLE: **SKID ASSEMBLY,
DUPLEX/STANDARD,
(PVDF) VITON SEALS
HI FLOW**

SIZE	DWG. NO.	REV
B	PES2S-VKHF	C

SCALE: 1:1

SHEET 1 OF 1